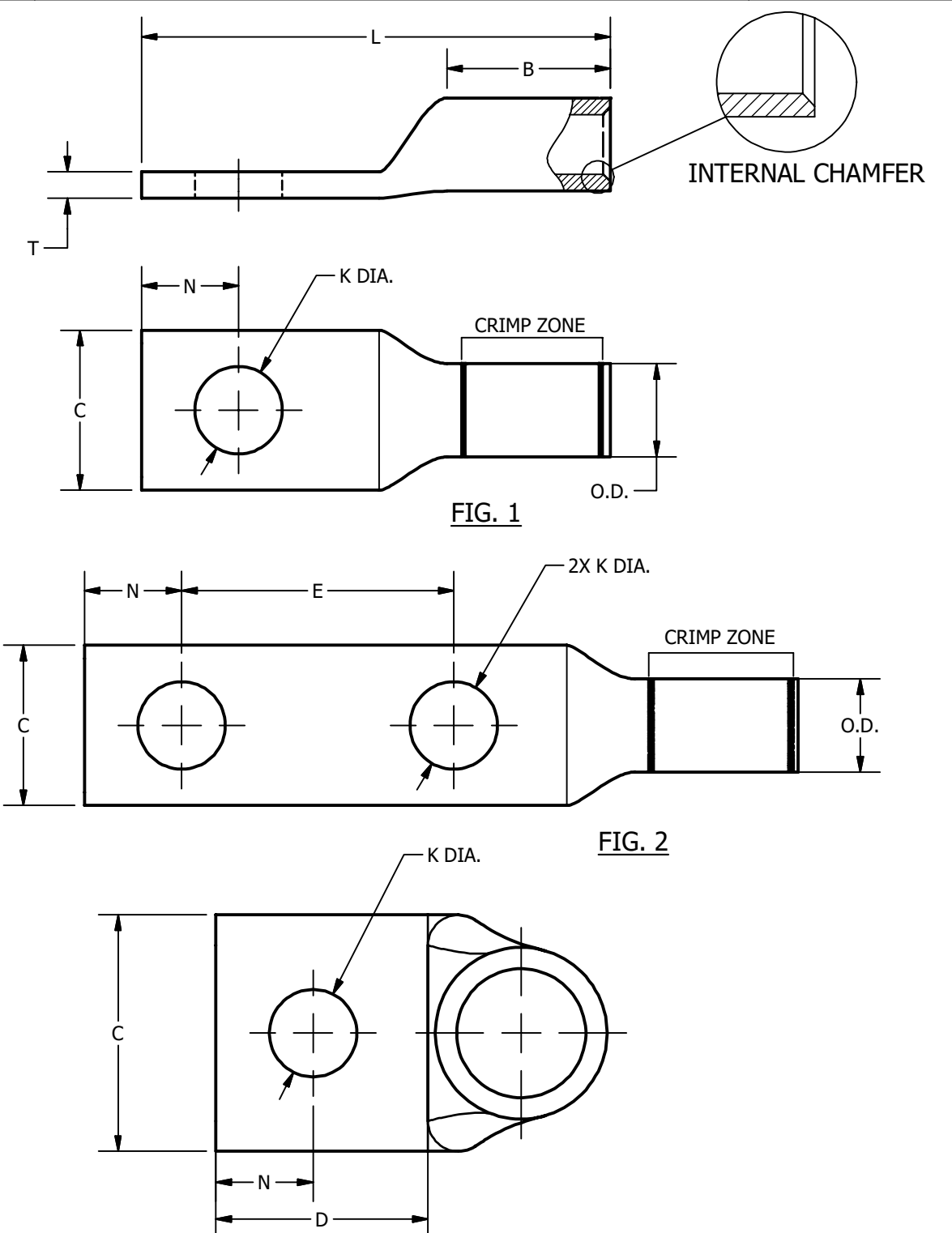


CATALOG NUMBER	WIRE / CONDUCTOR SIZE			STUD SIZE	NO. OF HOLES	STUD HOLE DIAMETER (K)	FIG.	OUTSIDE DIAMETER (OD)	BARREL LENGTH (B)	PAD WIDTH (C)	PAD LENGTH (D)	HOLE SPACING (E & F)	OVERALL LENGTH (L)	HOLE OFFSET (N)	PAD THICKNESS (T)	HEIGHT (H)	COLOR CODE	DIE INDEX	WIRE STRIP LENGTH	TEMP RATING
	ALUMINUM	COPPER	CCA																	
YA8CA1	#8 AWG	#8 AWG		10	1	.20 [5]	1	.30 [8]	.62 [16]	.53 [13]	.60 [15]		1.50 [38]	.20 [5]	.09 [2]		BLUE	374	3/4"	75°C
YA8CA3	#8 AWG	#8 AWG		1/4	1	.28 [7]	1	.30 [8]	.62 [16]	.53 [13]	.75 [19]		1.65 [42]	.25 [6]	.09 [2]		BLUE	374	3/4"	75°C
YA6CA1	#6 AWG	#6 AWG		1/4	1	.28 [7]	1	.34 [9]	.75 [19]	.47 [12]	.75 [19]		1.84 [47]	.33 [8]	.14 [4]		GRAY	346	7/8"	90°C
YA6CA3	#6 AWG	#6 AWG		3/8	1	.44 [11]	1	.34 [9]	.75 [19]	.65 [17]	1.19 [30]		2.28 [58]	.44 [11]	.09 [2]		GRAY	346	7/8"	90°C
YA4CA1	#4 AWG	#4 AWG		1/4	1	.28 [7]	1	.43 [11]	.88 [22]	.47 [12]	.75 [19]		2.13 [54]	.33 [8]	.18 [5]		GREEN	375	1"	90°C
YA4CA3	#4 AWG	#4 AWG		5/16	1	.38 [10]	1	.43 [11]	.88 [22]	.80 [20]	.87 [22]		2.25 [57]	.41 [10]	.12 [3]		GREEN	375	1"	90°C
YA4CA6	#4 AWG	#4 AWG		3/8	1	.44 [11]	1	.43 [11]	.88 [22]	.80 [20]	.94 [24]		2.32 [59]	.44 [11]	.12 [3]		GREEN	375	1"	90°C
YA4CA8	#4 AWG	#4 AWG		1/2	2	.56 [14]	2	.43 [11]	.88 [22]	.88 [22]	3.11 [79]	1.75 [44]	4.50 [114]	.63 [16]	.11 [3]		GREEN	375	1"	90°C
YA2CA1	#2 AWG	#2 AWG		5/16	1	.38 [10]	1	.53 [13]	.53 [13]	.53 [13]	.88 [22]		2.50 [64]	.53 [13]	.53 [13]		PINK	348	1-1/4"	90°C
YA2CA3	#2 AWG	#2 AWG		3/8	1	.44 [11]	1	.53 [13]	1.12 [28]	.88 [22]	.94 [24]		2.56 [65]	.44 [11]	.16 [4]		PINK	348	1-1/4"	90°C
YA2CA5	#2 AWG	#2 AWG		1/4	1	.28 [7]	1	.53 [13]	1.00 [25]	.50 [13]	.75 [19]		2.25 [57]	.33 [8]	.22 [6]		PINK	348	1-1/4"	90°C
YA2CA9	#2 AWG	#2 AWG		1/2	2	.56 [14]	2	.53 [13]	1.12 [28]	.88 [22]	3.11 [79]	1.75 [44]	4.73 [120]	.63 [16]	.16 [4]		PINK	348	1-1/4"	90°C
YA1CA1	#1 AWG	#1 AWG		3/8	1	.44 [11]	1	.54 [14]	.91 [23]	.76 [19]	1.19 [30]		2.59 [66]	.44 [11]	.19 [5]		GOLD	471	1-1/16"	90°C
YA1CA3	#1 AWG	#1 AWG		1/4	1	.28 [7]	1	.54 [14]	.91 [23]	.52 [13]	.75 [19]		2.16 [55]	.33 [8]	.19 [5]		GOLD	471	1-1/16"	90°C
YA1CA4	#1 AWG	#1 AWG		5/16	1	.38 [10]	1	.54 [14]	.91 [23]	.76 [19]	.81 [21]		2.25 [57]	.41 [10]	.19 [5]		GOLD	471	1-1/16"	90°C
YA1CA9	#1 AWG	#1 AWG		1/2	2	.56 [14]	2	.54 [14]	.91 [23]	.88 [22]	3.11 [79]	1.75 [44]	4.52 [115]	.63 [16]	.19 [5]		GOLD	471	1-1/16"	90°C
YA25A1	1/0 AWG	1/0 AWG		5/16	1	.38 [10]	1	.60 [15]	1.00 [25]	.60 [15]	.87 [22]		2.31 [59]	.41 [10]	.21 [5]		TAN	296	1-3/16"	90°C
YA25A3	1/0 AWG	1/0 AWG		3/8	1	.44 [11]	1	.60 [15]	1.05 [27]	.82 [21]	1.18 [30]		2.67 [68]	.63 [16]	.21 [5]		TAN	296	1-3/16"	90°C
YA25A5	1/0 AWG	1/0 AWG		3/8	2	.44 [11]	2	.60 [15]	1.05 [27]	.82 [21]	2.24 [57]	1.06 [27]	3.73 [95]	.63 [16]	.21 [5]		TAN	296	1-3/16"	90°C
YA25A7	1/0 AWG	1/0 AWG		1/2	2	.56 [14]	2	.60 [15]	1.05 [27]	1.03 [26]	3.10 [79]		4.59 [117]	.63 [16]	.17 [4]		TAN	296	1-3/16"	90°C
YA25A790	1/0 AWG	1/0 AWG		1/2	2	.56 [14]	4	.60 [15]	1.05 [27]	1.03 [26]	3.10 [79]	1.75 [44]	3.44 [87]	.63 [16]	.17 [4]	1.70 [43]	TAN	296	1-3/16"	90°C
YA25A9	1/0 AWG	1/0 AWG		1/2	1	.56 [14]	1	.60 [15]	1.05 [27]	1.03 [26]	1.34 [34]		2.83 [72]	.63 [16]	.17 [4]		TAN	296	1-3/16"	90°C

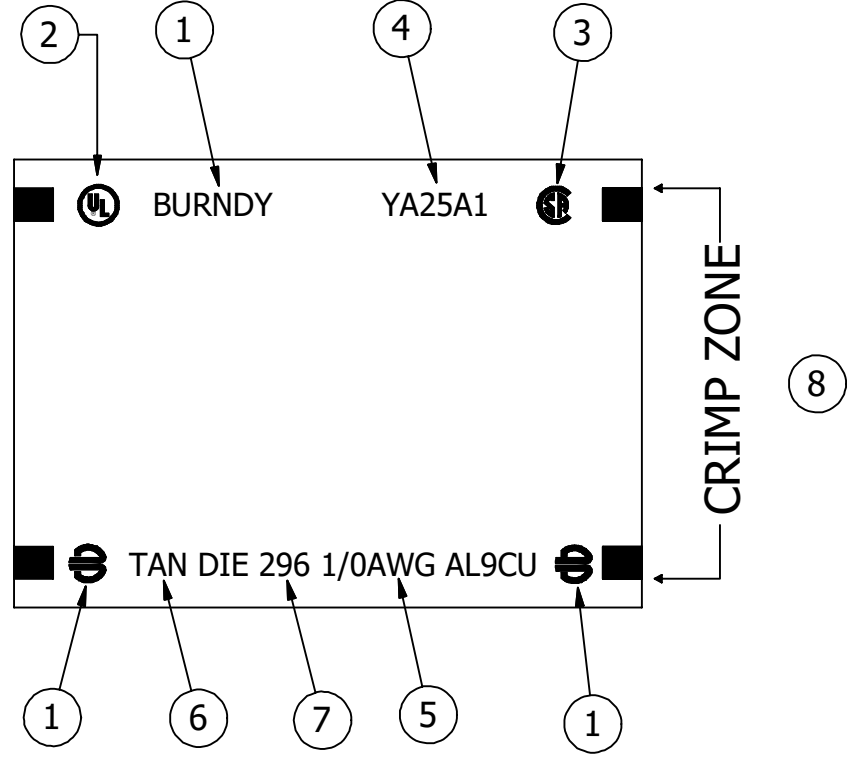
REV	DATE	DESCRIPTION	ECO	BY	CHK.
BG	09/13/2022	UPDATED DRAWING AS PER FPN2208041	220912023912	RA	YR



NOTES:

- CONNECTOR: UNINSULATED ALUMINUM COMPRESSION TERMINAL. MADE FROM SEAMLESS ALUMINUM TUBING.
- CONNECTION: COMPRESSION CONNECTIONS MADE ARE IRREVERSIBLE AND MAINTENANCE FREE.
- APPLICABLE STANDARDS: PRODUCTS ARE ONLY UL LISTED AND CSA CERTIFIED WHEN INSTALLED USING THE BURNDY ENGINEERED SYSTEM: TOOLS, DIES (IF APPLICABLE), AND CONNECTORS. THE USE OF OTHER INDUSTRY TOOLING AND OR DIES ON BURNDY CONNECTORS WILL VOID THE UL LISTING AND CSA CERTIFICATIONS.
 - UL LISTING TO UL486A-486B-WIRE CONNECTORS
 - CSA C22.2
- TEMPERATURE AND VOLTAGE RATING:
 - UL LISTED 90°C OR 75°C, UP TO 35KV *SEE CONNECTOR FINISHES FOR ADDITIONAL SERVICE TEMPERATURE RATINGS.
 - ALUMINUM CONNECTORS MARKED AL9CU ACCOMMODATE ALUMINUM (AL) AND COPPER (CU) CODE WIRE UP TO 90°C.
 - ALUMINUM CONNECTORS MARKED AL7CU ACCOMMODATE ALUMINUM (AL) AND COPPER (CU) CODE WIRE UP TO 75°C.
- WIRE ACCOMMODATE TYPES (SEE TABLE): DUAL RATED TO ACCOMMODATE ALUMINUM AND COPPER WIRE.
 - CODE ALUMINUM WIRE (CU): CLASS B (CONCENTRIC, COMPRESS, COMPACT) STRANDING.
 - CODE COPPER WIRE (AL): CLASS B (CONCENTRIC, COMPRESS, COMPACT) OR CLASS C STRANDING.
 - COPPER CLAD ALUMINUM (CCA) STRANDING: SEE TABLE FOR SELECT TERMINALS AND APPLICABLE CCA WIRE SIZES.
- CONNECTOR FINISHES AND SUFFIX: SEE SECTION C OF THE BURNDY MASTER CATALOG FOR PLATING SERVICE TEMPERATURE RATINGS.
 - ELECTRO-TIN PLATED: CONNECTORS HAVING NO SUFFIX ARE TIN PLATED UNLESS OTHERWISE SPECIFIES. CATALOG NUMBER EXAMPLE: YA34A3.
 - NICKEL PLATED: APPLY SUFFIX "NK" TO A CATALOG NUMBER IN THE TABLE, IF NOT SPECIFIED. CATALOG NUMBER EXAMPLE: YA34A3NK.
 - SILVER PLATED: APPLY SUFFIX "SV" TO A CATALOG NUMBER IN THE TABLE, IF NOT SPECIFIED. CATALOG NUMBER EXAMPLE: YA34A3SV.
 - TIN ZINC : APPLY SUFFIX "TZ" TO A CATALOG NUMBER IN THE TABLE, IF NOT SPECIFIED. CATALOG NUMBER EXAMPLE: YA34A3TZ.
 - BARE CONNECTORS: APPLYING SUFFIX "BR" TO A CATALOG NUMBER IN THE TABLE, IF NOT SPECIFIED. CATALOG NUMBER EXAMPLE: YA343BR.
- FEATURES:
 - BARREL TYPICAL ROLL MARKINGS (AS SPACE PERMITS): CRIMP ZONE IS INDICATED BY KNURL BANDS, BURNDY CORPORATE NAME OR LOGO, UL LOGO (IF APPLICABLE), CSA LOGO (IF APPLICABLE), WIRE SIZE, DIE COLOR CODE (IF SPACE PERMITS), DIE INDEX NUMBER.
 - BARREL DESIGN: BARREL END AT THE WIRE HAS AN INTERNAL CHAMFER, ALLOWING FOR A SMOOTH WIRE INSERTION.
 - TERMINALS ARE PRE-FILLED WITH PENETROX™ A13, WHICH IS AN OXIDE INHIBITOR.
 - EACH TERMINAL HAS A COLOR-CODED END CAP TO MATCH THE DIE COLOR CODE. THIS ALSO PREVENTS PARTICLES FROM ENTERING THE BARREL.
 - PAD/TONGUE/TANG/SPADE DESIGN: ONE-HOLE, TWO-HOLE, AND FOUR HOLE DESIGNS. CONTACT CUSTOMER SERVICE FOR ALTERNATE PAD CONFIGURATIONS.
 - FIELD BENDING STRAIGHT LUGS TO ACHIEVE AN ANGULAR CONNECTION WILL VOID ALL APPLICABLE STANDARDS LISTED IN NOTE 2.
 - CATALOG NUMBER SUFFIX DT OR DTS: INDICATES THAT THE TRANSITION IN THE TERMINAL BETWEEN THE PAD AND BARREL ARE SOLDER OR BRAZE SEALED TO BE OIL TIGHT INSIDE THE BARREL. THIS PREVENTS ANY LIQUIDS FROM EXITING OR ENTERING THE BARREL THROUGH THE PAD.
 - IF NOT LISTED IN THE TABLE, PLEASE CONTACT CUSTOMER SERVICE FOR 45°, 90°, AND OR OTHER ANGULAR LUGS FOR PRODUCT AVAILABILITY. CATALOG NUMBER SUFFIX 45 INDICATES THAT THE TERMINAL IS BENT AT A 45 DEGREE ANGLE. CATALOG NUMBER SUFFIX 90 INDICATES THAT THE TERMINAL IS BENT AT A 90 DEGREE ANGLE.
- INSTALLATION TOOLING AND DIES ARE CONSTANTLY BEING UPDATED. PLEASE SEE BURNDY MASTER CATALOG FOR THIS PRODUCT FAMILY, WHICH CAN BE FOUND ON THE BURNDY WEBSITE.
- SPECIAL REQUIREMENTS:
 - YA39A- CONNECTORS: 900 KCMIL CLASS B COMPACT WIRE REQUIRES THE USE OF THE 644 SERIES OR 444 SERIES DIE-LESS INSTALLATION TOOLS AND 2 CRIMPS.
 - YA42A- CONNECTORS: 600 KCMIL CU REQUIRES THE USE OF THE 644 SERIES OR 444 SERIES DIE-LESS INSTALLATION TOOLS.
 - YA44-A- CONNECTORS ACCOMMODATE 1100 KCMIL WIRE CLASS A AND CLASS B COMPACT, BUT IS NOT UL LISTED OR CSA CERTIFIED.
- DIMENSIONS IN BRACKETS [] ARE IN MILLIMETERS ROUNDED OFF TO THE NEAREST MILLIMETER, UNLESS OTHERWISE SPECIFIED AND ARE FOR REFERENCE ONLY.
- CATALOG NUMBER SCHEME: EX: YA34A3.
 - Y = COMPRESSION, A = TERMINAL, 34 = WIRE SIZE (500 KCMIL), A = ALUMINUM CONNECTOR, 3 = HOLE SIZE AND PATTERN.

- TYPICAL MARKINGS:**
- BURNDY COMPANY IDENTIFIER
 - UL LOGO, IF APPLICABLE
 - CSA LOGO, IF APPLICABLE
 - BURNDY CATALOG NUMBER
 - WIRE ACCOMMODATES
 - COLOR CODE IDENTIFIER
 - DIE INDEX NUMBER
 - CRIMP ZONE BANDS (KNURL MARKS)



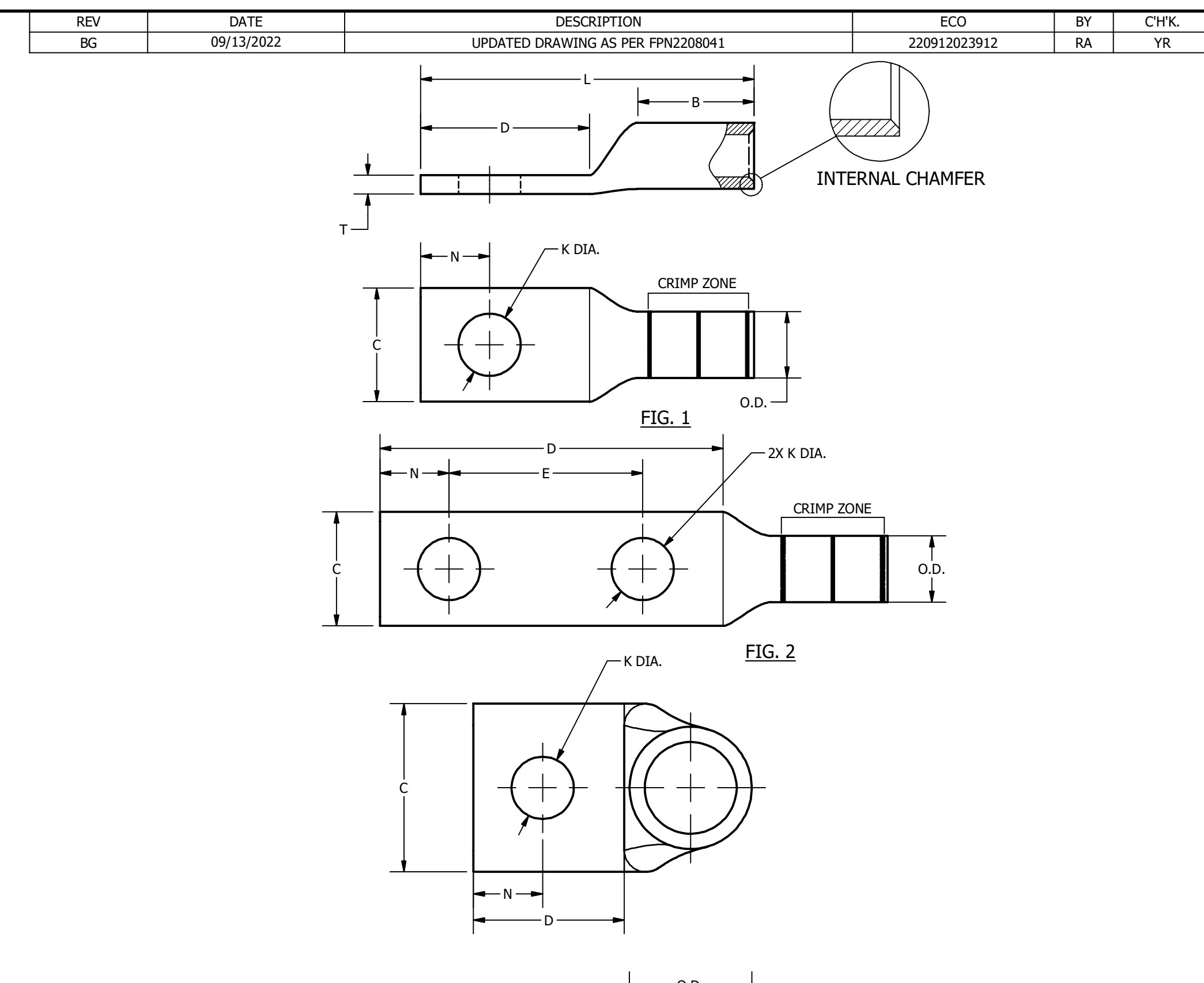
TO ORDER BURNDY® PRODUCTS CALL
 UNITED STATES
 1-800-346-4175 (LONDONDERRY, NH)
 CANADA:
 1-800-387-6487
 FOR PRODUCT INFO: <http://www.burndy.com>

HYLUG™	
ITEM NO: SEE TABLE	
CAT. NO: SEE TABLE	
DRAWN BY: E.S.K	7/19/1972
CHECKER: S.F.P	8/1/1972
DSN APRVL: R.B.	8/2/1972
MFG APRVL:	
QA APRVL: D.VARIO	6/19/1995
MKT APRVL:	
PROD FAM: CM&R COMPRESSION	DRAWING NO
PROJECT #: --	SIZE
DOCUMENT TYPE: SALES	SD..073935-01
REL LEVEL: Released	SHEET 1 OF 10



BG

CATALOG NUMBER	WIRE / CONDUCTOR SIZE			STUD SIZE	NO. OF HOLES	STUD HOLE DIAMETER (K)	FIG.	OUTSIDE DIAMETER (OD)	BARREL LENGTH (B)	PAD WIDTH (C)	PAD LENGTH (D)	HOLE SPACING (E & F)	OVERALL LENGTH (L)	HOLE OFFSET (N)	PAD THICKNESS (T)	HEIGHT (H)	COLOR CODE	DIE INDEX	WIRE STRIP LENGTH	TEMP RATING
	ALUMINUM	COPPER	CCA																	
YA26A1	2/0 AWG	2/0 AWG		1/2	1	.56 [14]	1	.67 [17]	1.17 [30]	1.03 [26]	1.36 [35]		3.03 [77]	.20 [5]	.20 [5]		OLIVE	297	1-3/8"	90°C
YA26A6	2/0 AWG	2/0 AWG		3/8	1	.44 [11]	1	.67 [17]	1.17 [30]	.67 [17]	1.18 [30]		2.79 [71]	.25 [6]	.24 [6]		OLIVE	297	1-3/8"	90°C
YA26A7	2/0 AWG	2/0 AWG		5/16	1	.38 [10]	1	.67 [17]	1.17 [30]	.67 [17]	.81 [21]		2.52 [64]	.33 [8]	.24 [6]		OLIVE	297	1-3/8"	90°C
YA26A8	2/0 AWG	2/0 AWG		5/8	1	.69 [18]	1	.67 [17]	1.17 [30]	1.03 [26]	1.36 [35]		3.03 [77]	.44 [11]	.20 [5]		OLIVE	297	1-3/8"	90°C
YA26A3	2/0 AWG	2/0 AWG		1/2	2	.56 [18]	2	.67 [17]	1.17 [30]	1.03 [26]	3.11 [79]	1.75 [44]	4.78 [121]	.33 [8]	.20 [5]		OLIVE	297	1-3/8"	90°C
YA26A5	2/0 AWG	2/0 AWG		3/8	2	.44 [11]	2	.67 [17]	1.17 [30]	.92 [23]	1.89 [48]	1.00 [25]	3.56 [90]	.41 [10]	.24 [6]		OLIVE	297	1-3/8"	90°C
YA27A1	3/0 AWG	3/0 AWG		3/8	1	.44 [11]	1	.76 [19]	1.11 [28]	.73 [19]	1.18 [30]		2.88 [73]	.44 [11]	.26 [7]		RUBY	467	1-1/2"	90°C
YA27A3	3/0 AWG	3/0 AWG		1/2	1	.58 [14]	1	.79 [19]	1.31 [33]	1.04 [26]	1.37 [35]		3.27 [83]	.63 [16]	.26 [7]		RUBY	467	1-1/2"	90°C
YA27A5	3/0 AWG	3/0 AWG		1/2	2	.56 [14]	2	.79 [19]	1.31 [33]	1.04 [26]	3.12 [79]	1.75 [44]	5.02 [128]	.63 [16]	.26 [7]		RUBY	467	1-1/2"	90°C
YA27A7	3/0 AWG	3/0 AWG		3/8	2	.44 [11]	2	.79 [19]	1.31 [33]	1.04 [26]	1.89 [48]	1.00 [25]	3.79 [96]	.44 [11]	.26 [7]		RUBY	467	1-1/2"	90°C
YA28A1	4/0 AWG	4/0 AWG		3/8	1	.44 [11]	1	.85 [22]	1.39 [35]	1.17 [30]	1.18 [30]		3.26 [83]	.44 [11]	.30 [8]		WHITE	298	1-5/8"	90°C
YA28A3	4/0 AWG	4/0 AWG		1/2	1	.56 [14]	1	.85 [22]	1.39 [35]	1.17 [30]	1.36 [35]		3.44 [87]	.63 [16]	.30 [8]		WHITE	298	1-5/8"	90°C
YA28A5	4/0 AWG	4/0 AWG		1/2	2	.56 [14]	2	.85 [22]	1.39 [35]	1.17 [30]	3.11 [79]	1.75 [44]	5.19 [132]	.63 [16]	.30 [8]		WHITE	298	1-5/8"	90°C
YA28A7	4/0 AWG	4/0 AWG		3/8	2	.44 [11]	2	.85 [22]	1.39 [35]	1.17 [30]	1.89 [48]	1.00 [25]	3.97 [101]	.44 [11]	.30 [8]		WHITE	298	1-5/8"	90°C
YA28A590	4/0 AWG	4/0 AWG		1/2	2	.56 [14]	4	.85 [22]	1.39 [35]	1.17 [30]	3.11 [79]	1.75 [44]	3.63 [98]	.63 [16]	.30 [8]	2.73 [69]	WHITE	298	1-5/8"	90°C
YA29A1	250 KCMIL	250 KCMIL		1/2	1	.56 [14]	1	.92 [37]	1.45 [37]	1.26 [32]	1.36 [35]		3.53 [90]	.63 [16]	.33 [8]		RED	324	1-5/8"	90°C
YA29A6	250 KCMIL	250 KCMIL		5/8	1	.69 [18]	1	.92 [37]	1.45 [37]	1.26 [32]	1.52 [39]		3.69 [94]	.75 [19]	.33 [8]		RED	324	1-5/8"	90°C
YA29A3	250 KCMIL	250 KCMIL		1/2	2	.56 [14]	2	.92 [37]	1.45 [37]	1.26 [32]	3.11 [79]	1.75 [44]	5.28 [134]	.63 [16]	.33 [8]		RED	324	1-5/8"	90°C
YA29A5	250 KCMIL	250 KCMIL		3/8	2	.44 [11]	2	.92 [37]	1.45 [37]	1.26 [32]	1.89 [48]	1.00 [25]	4.06 [103]	.44 [11]	.33 [8]		RED	324	1-5/8"	90°C
YA30A1	300 KCMIL	300 KCMIL	4/0 AWG DLO (329/22)	1/2	1	.56 [14]	1	1.01 [26]	1.53 [39]	1.38 [35]	1.37 [35]		3.90 [99]	.63 [16]	.36 [9]		BLUE	470	1-3/4"	90°C
YA30A6	300 KCMIL	300 KCMIL	4/0 AWG DLO (329/22)	3/8	1	.44 [11]	1	1.01 [26]	1.53 [39]	1.38 [35]	1.37 [35]		3.90 [99]	.63 [16]	.36 [9]		BLUE	470	1-3/4"	90°C
YA30A3	300 KCMIL	300 KCMIL	4/0 AWG DLO (329/22)	1/2	2	.56 [14]	2	1.01 [26]	1.53 [39]	1.38 [35]	3.11 [79]	1.75 [44]	5.64 [143]	.63 [16]	.36 [9]		BLUE	470	1-3/4"	90°C
YA30A5	300 KCMIL	300 KCMIL	4/0 AWG DLO (329/22)	3/8	2	.44 [11]	2	1.01 [26]	1.53 [39]	1.38 [35]	1.89 [48]	1.00 [25]	4.42 [112]	.44 [11]	.36 [9]		BLUE	470	1-3/4"	90°C
YA31A1	350 KCMIL	350 KCMIL	250 KCMIL DLO (399/22)	1/2	1	.56 [14]	1	1.11 [28]	1.85 [47]	1.52 [39]	1.37 [35]		4.53 [110]	.63 [16]	.39 [10]		BROWN	299	2-1/8"	90°C
YA31A6	350 KCMIL	350 KCMIL	250 KCMIL DLO (399/22)	3/8	1	.44 [11]	1	1.11 [28]	1.85 [47]	1.52 [39]	.89 [23]		3.85 [98]	.44 [11]	.39 [10]		BROWN	299	2-1/8"	90°C
YA31A12	350 KCMIL	350 KCMIL	250 KCMIL DLO (399/22)	5/8	1	.65 [17]	1	1.11 [28]	1.85 [47]	1.52 [39]	1.37 [35]		4.33 [110]	.63 [16]	.39 [10]		BROWN	299	2-1/8"	90°C
YA31A190	350 KCMIL	350 KCMIL	250 KCMIL DLO (399/22)	1/2	1	.56 [14]	3	1.11 [28]	1.85 [47]	1.52 [39]	1.37 [35]		2.12 [54]	.63 [16]	.39 [10]	3.74 [95]	BROWN	299	2-1/8"	90°C
YA31A3	350 KCMIL	350 KCMIL	250 KCMIL DLO (399/22)	1/2	2	.56 [14]	2	1.11 [28]	1.85 [47]	1.52 [39]	3.11 [79]	1.75 [44]	6.07 [154]	.63 [16]	.39 [10]		BROWN	299	2-1/8"	90°C
YA31A5	350 KCMIL	350 KCMIL	250 KCMIL DLO (399/22)	3/8	2	.44 [11]	2	1.11 [28]	1.85 [47]	1.52 [39]	1.89 [48]	1.00 [25]	4.85 [123]	.44 [11]	.39 [10]		BROWN	299	2-1/8"	90°C
YA31A390	350 KCMIL	350 KCMIL	250 KCMIL DLO (399/22)	1/2	2	.56 [14]	4	1.11 [28]	1.85 [47]	1.52 [39]	3.11 [79]	1.75 [44]	3.87 [98]	.63 [16]	.39 [10]	3.74 [95]	BROWN	299	2-1/8"	90°C

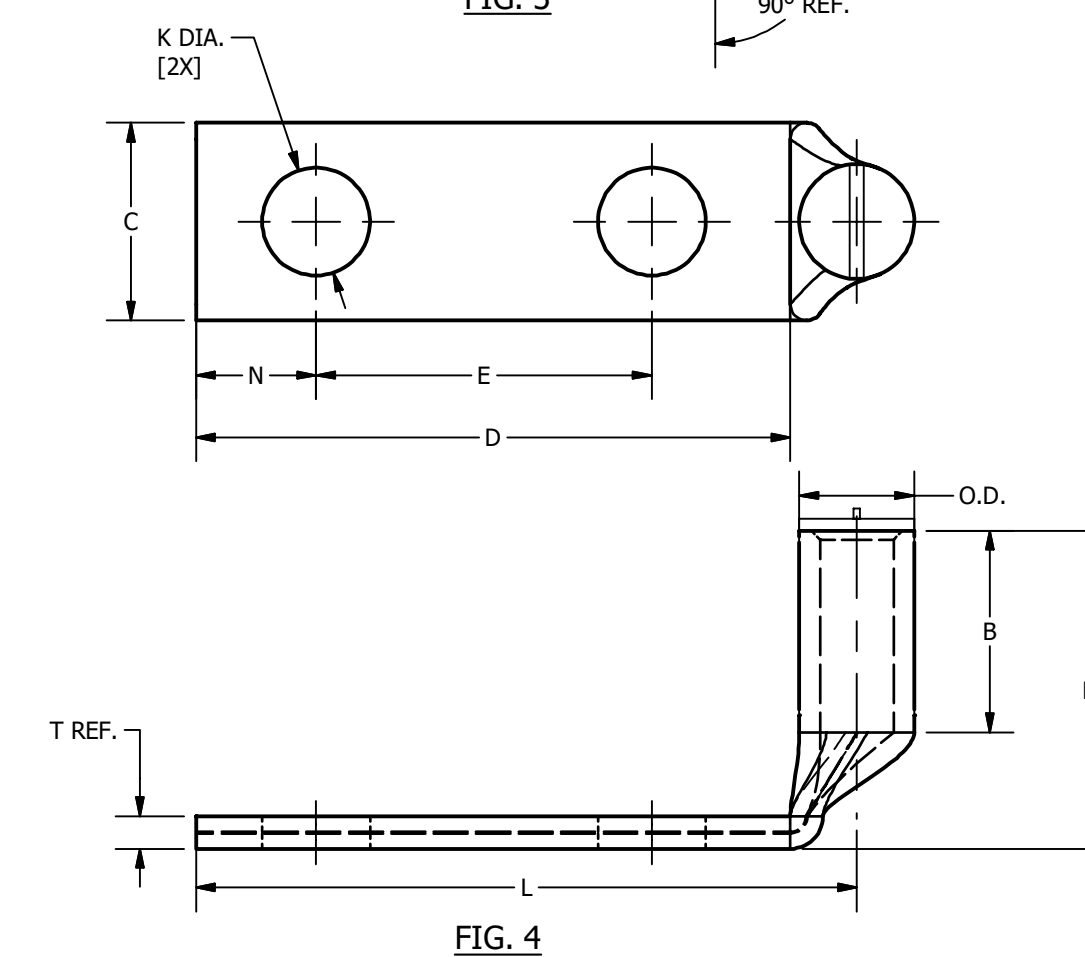
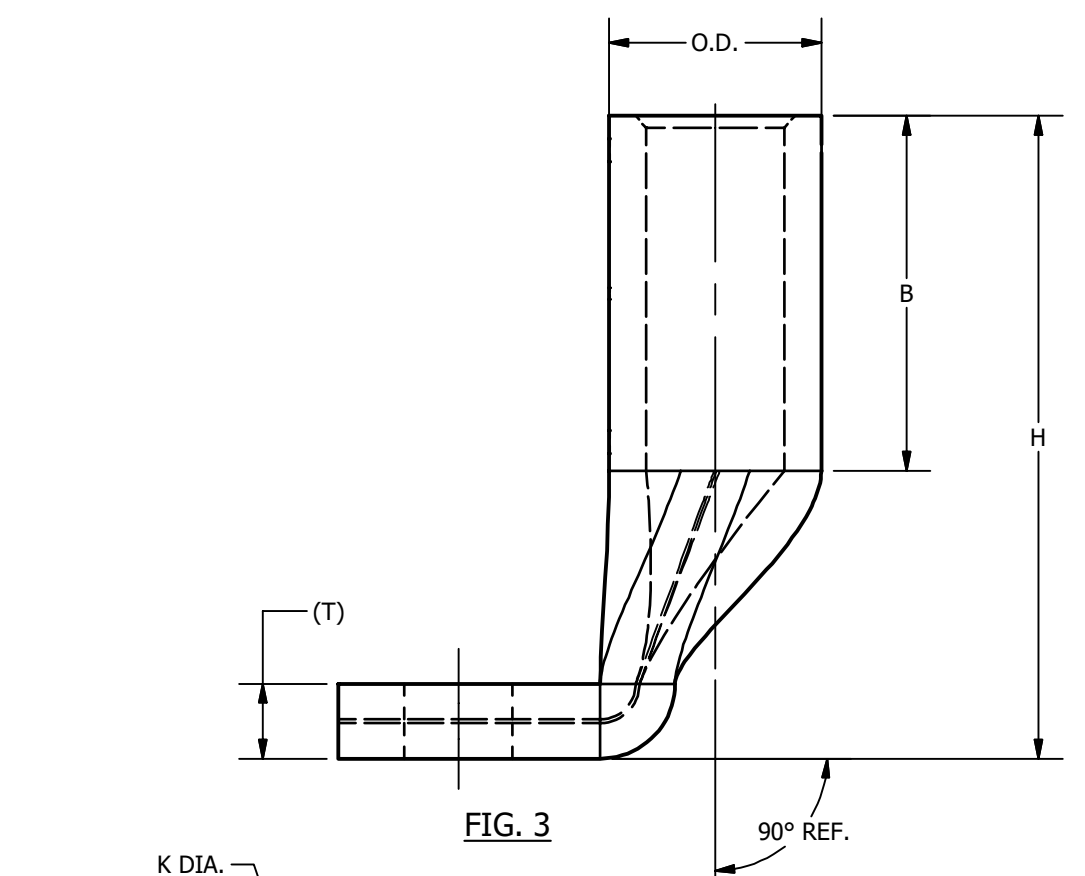
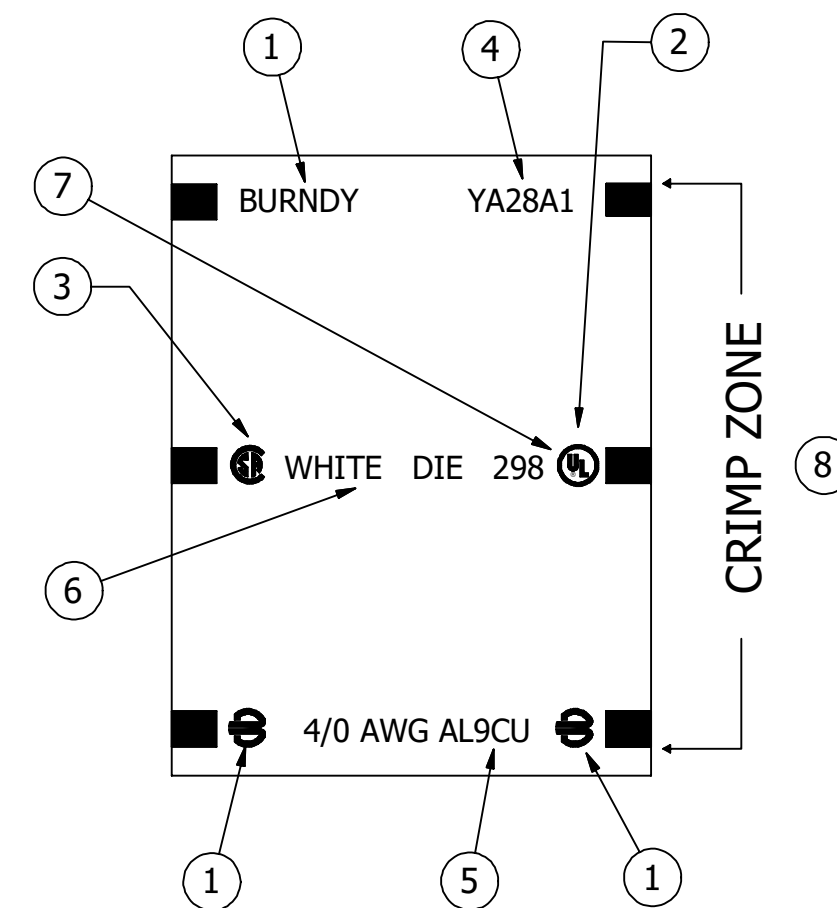


NOTES:

- CONNECTOR: UNINSULATED ALUMINUM COMPRESSION TERMINAL. MADE FROM SEAMLESS ALUMINUM TUBING.
- CONNECTION: COMPRESSION CONNECTIONS MADE ARE IRREVERSIBLE AND MAINTENANCE FREE.
- APPLICABLE STANDARDS: PRODUCTS ARE ONLY UL LISTED AND CSA CERTIFIED WHEN INSTALLED USING THE BURNDY ENGINEERED SYSTEM: TOOLS, DIES (IF APPLICABLE), AND CONNECTORS. THE USE OF OTHER INDUSTRY TOOLING AND OR DIES ON BURNDY CONNECTORS WILL VOID THE UL LISTING AND CSA CERTIFICATIONS.
 - UL LISTING TO UL486A-486B-WIRE CONNECTORS
 - CSA C22.2
- TEMPERATURE AND VOLTAGE RATING:
 - UL LISTED 90°C OR 75°C, UP TO 35kV *SEE CONNECTOR FINISHES FOR ADDITIONAL SERVICE TEMPERATURE RATINGS.
 - ALUMINUM CONNECTORS MARKED AL9CU ACCOMMODATE ALUMINUM (AL) AND COPPER (CU) CODE WIRE UP TO 90°C.
 - ALUMINUM CONNECTORS MARKED AL7CU ACCOMMODATE ALUMINUM (AL) AND COPPER (CU) CODE WIRE UP TO 75°C.
- WIRE ACCOMMODATE TYPES (SEE TABLE): DUAL RATED TO ACCOMMODATE ALUMINUM AND COPPER WIRE.
 - CODE ALUMINUM WIRE (CU): CLASS B (CONCENTRIC, COMPRESS, COMPACT) STRANDING.
 - CODE COPPER WIRE (AL): CLASS B (CONCENTRIC, COMPRESS, COMPACT) OR CLASS C STRANDING.
 - COPPER CLAD ALUMINUM (CCA) STRANDING: SEE TABLE FOR SELECT TERMINALS AND APPLICABLE CCA WIRE SIZES.
- CONNECTOR FINISHES AND SUFFIX: SEE SECTION C OF THE BURNDY MASTER CATALOG FOR PLATING SERVICE TEMPERATURE RATINGS.
 - ELECTRO-TIN PLATED: CONNECTORS HAVING NO SUFFIX ARE TIN PLATED UNLESS OTHERWISE SPECIFIED. CATALOG NUMBER EXAMPLE: YA34A3.
 - NICKEL PLATED: APPLY SUFFIX "NK" TO A CATALOG NUMBER IN THE TABLE, IF NOT SPECIFIED. CATALOG NUMBER EXAMPLE: YA34A3NK.
 - SILVER PLATED: APPLY SUFFIX "SV" TO A CATALOG NUMBER IN THE TABLE, IF NOT SPECIFIED. CATALOG NUMBER EXAMPLE: YA34A3SV.
 - TIN ZINC : APPLY SUFFIX "TZ" TO A CATALOG NUMBER IN THE TABLE, IF NOT SPECIFIED. CATALOG NUMBER EXAMPLE: YA34A3TZ.
 - BARE CONNECTORS: APPLYING SUFFIX "BR" TO A CATALOG NUMBER IN THE TABLE, IF NOT SPECIFIED. CATALOG NUMBER EXAMPLE: YA343BR.
- FEATURES:
 - BARREL TYPICAL ROLL MARKINGS (AS SPACE PERMITS): CRIMP ZONE IS INDICATED BY KNURL BANDS, BURNDY CORPORATE NAME OR LOGO, UL LOGO (IF APPLICABLE), CSA LOGO (IF APPLICABLE), WIRE SIZE, DIE COLOR CODE (IF SPACE PERMITS), DIE INDEX NUMBER.
 - BARREL DESIGN: BARREL END AT THE WIRE HAS AN INTERNAL CHAMFER, ALLOWING FOR A SMOOTH WIRE INSERTION.
 - TERMINALS ARE PRE-FILLED WITH PENETROX™ A13, WHICH IS AN OXIDE INHIBITOR.
 - EACH TERMINAL HAS A COLOR-CODED END CAP TO MATCH THE DIE COLOR CODE. THIS ALSO PREVENTS PARTICLES FROM ENTERING THE BARREL.
 - PAD/TONGUE/TANG/SPADE DESIGN: ONE-HOLE, TWO-HOLE, AND FOUR HOLE DESIGNS. CONTACT CUSTOMER SERVICE FOR ALTERNATE PAD CONFIGURATIONS.
 - FIELD BENDING STRAIGHT LUGS TO ACHIEVE AN ANGULAR CONNECTION WILL VOID ALL APPLICABLE STANDARDS LISTED IN NOTE 2.
 - CATALOG NUMBER SUFFIX DT OR DTS: INDICATES THAT THE TRANSITION IN THE TERMINAL BETWEEN THE PAD AND BARREL ARE SOLDER OR BRAZE SEALED TO BE OIL TIGHT INSIDE THE BARREL. THIS PREVENTS ANY LIQUIDS FROM EXITING OR ENTERING THE BARREL THROUGH THE PAD.
 - IF NOT LISTED IN THE TABLE, PLEASE CONTACT CUSTOMER SERVICE FOR 45°, 90°, AND OTHER ANGULAR LUGS FOR PRODUCT AVAILABILITY. CATALOG NUMBER SUFFIX 45 INDICATES THAT THE TERMINAL IS BENT AT A 45 DEGREE ANGLE. CATALOG NUMBER SUFFIX 90 INDICATES THAT THE TERMINAL IS BENT AT A 90 DEGREE ANGLE.
- INSTALLATION TOOLING AND DIES ARE CONSTANTLY BEING UPDATED. PLEASE SEE BURNDY MASTER CATALOG FOR THIS PRODUCT FAMILY, WHICH CAN BE FOUND ON THE BURNDY WEBSITE.
- SPECIAL REQUIREMENTS:
 - YA39A- CONNECTORS: 900 KCMIL CLASS B COMPACT WIRE REQUIRES THE USE OF THE 644 SERIES OR 444 SERIES DIE-LESS INSTALLATION TOOLS AND 2 CRIMPS.
 - YA42A- CONNECTORS: 600 KCMIL CU REQUIRES THE USE OF THE 644 SERIES OR 444 SERIES DIE-LESS INSTALLATION TOOLS.
 - YA44-A- CONNECTORS ACCOMMODATE 1100 KCMIL WIRE CLASS A AND CLASS B COMPACT, BUT IS NOT UL LISTED OR CSA CERTIFIED.
- DIMENSIONS IN BRACKETS [] ARE IN MILLIMETERS ROUNDED OFF TO THE NEAREST MILLIMETER, UNLESS OTHERWISE SPECIFIED AND ARE FOR REFERENCE ONLY.
- CATALOG NUMBER SCHEME: EX: YA34A3.
 - Y = COMPRESSION, A = TERMINAL, 34 = WIRE SIZE (500 KCMIL), A = ALUMINUM CONNECTOR, 3 = HOLE SIZE AND PATTERN.

TYPICAL MARKINGS:

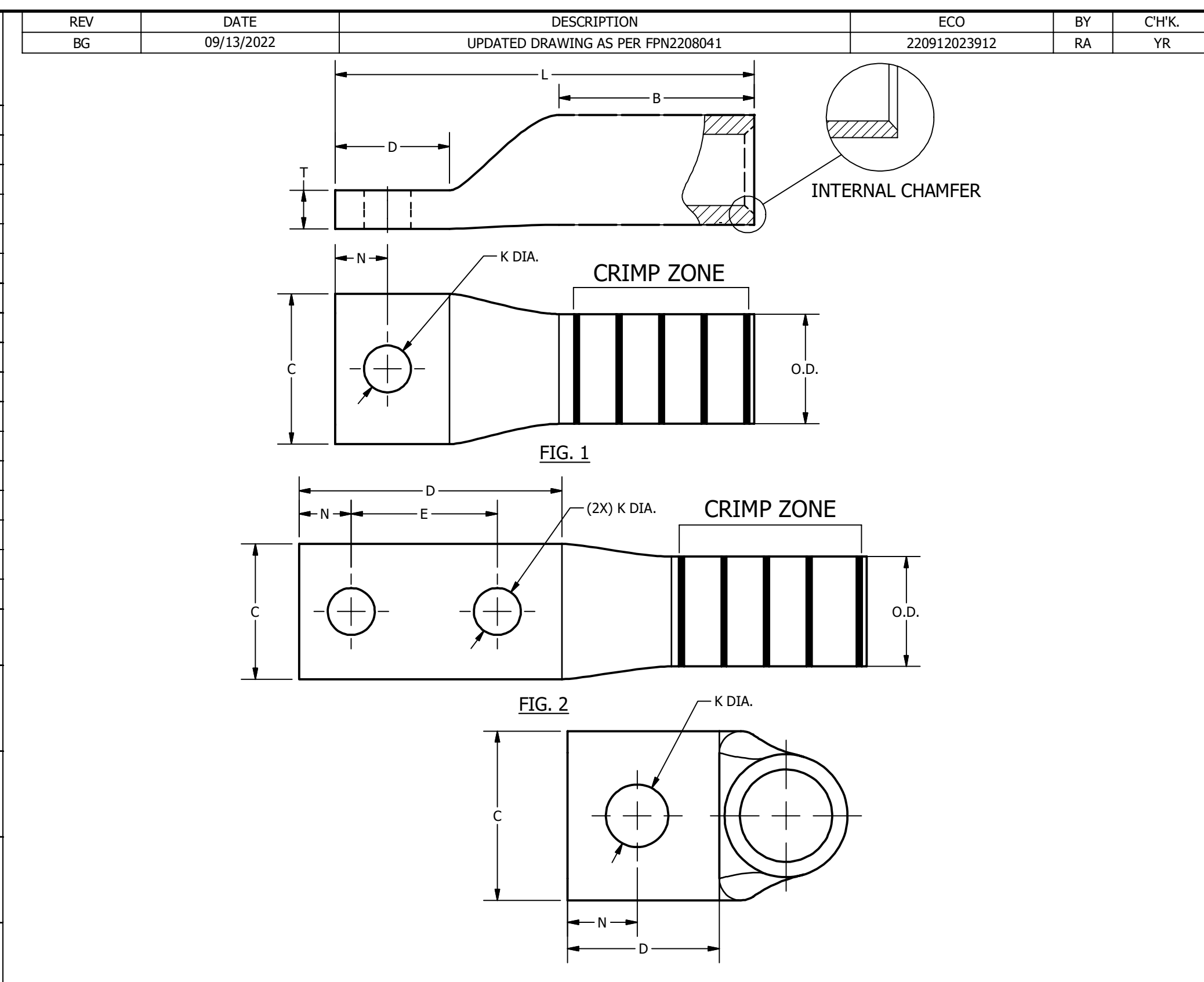
- BURNDY COMPANY IDENTIFIER
- UL LOGO, IF APPLICABLE
- CSA LOGO, IF APPLICABLE
- BURNDY CATALOG NUMBER
- WIRE ACCOMMODATES
- COLOR CODE IDENTIFIER
- DIE INDEX NUMBER
- CRIMP ZONE BANDS (KNURL MARKS)



TO ORDER BURNDY® PRODUCTS CALL
 UNITED STATES
 1-800-346-4175 (LONDONDERRY, NH)
 CANADA:
 1-800-387-6487
 FOR PRODUCT INFO: <http://www.burndy.com>

HYLUG™		
ITEM NO: SEE TABLE		
CAT. NO: SEE TABLE		
DRAWN BY: E.S.K	7/19/1972	
CHECKER: S.F.P	8/1/1972	
DSN APRVL: R.B.	8/2/1972	
MFG APRVL:		
QA APRVL: D.VARIO	6/19/1995	
MKT APRVL:		
PROD FAM: CM&R COMPRESSION		DRAWING NO
PROJECT #: --	SIZE	REV
DOCUMENT TYPE: SALES		SD..073935-01
REL LEVEL: Released	D	BG

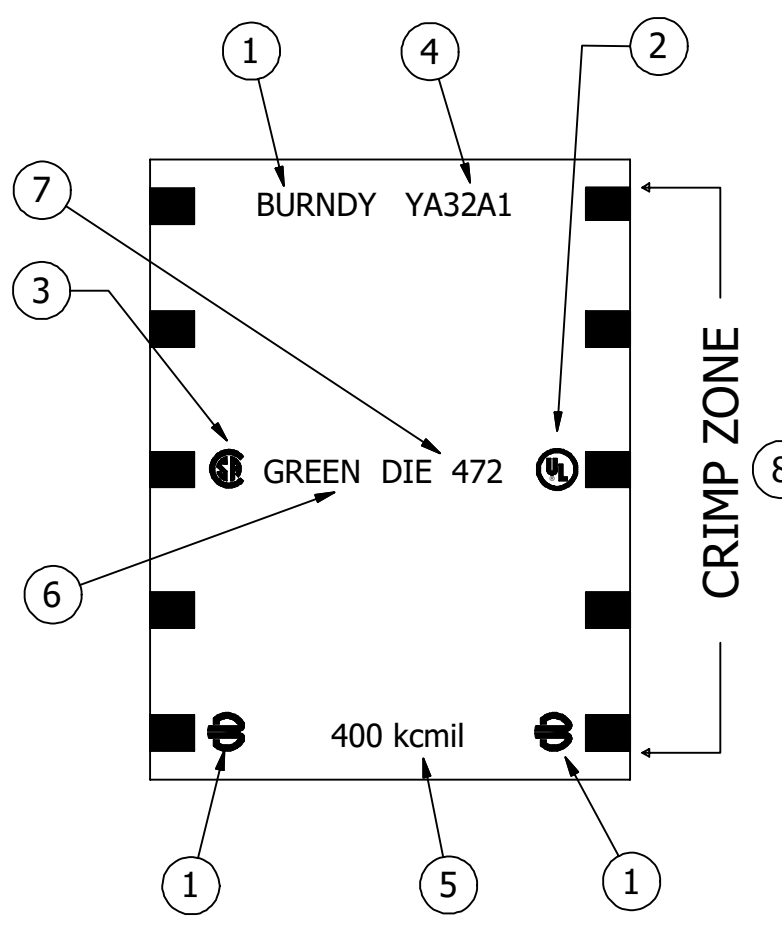
CATALOG NUMBER	WIRE / CONDUCTOR SIZE			STUD SIZE	NO. OF HOLES	STUD HOLE DIAMETER (K)	FIG.	OUTSIDE DIAMETER (OD)	BARREL LENGTH (B)	PAD WIDTH (C)	PAD LENGTH (D)	HOLE SPACING (E >> F)	OVERALL LENGTH (L)	HOLE OFFSET (N)	PAD THICKNESS (T)	HEIGHT (H)	COLOR CODE	DIE INDEX	WIRE STRIP LENGTH	TEMP RATING
	ALUMINUM	COPPER	CCA																	
YA32A1	400 KCMIL	400 KCMIL		5/8	1	.69 [18]	1	1.19 [30]	2.26 [57]	1.60 [41]	1.88 [48]		4.92 [125]	.88 [22]	.43 [11]		GREEN	472	2-1/2"	90°C
YA32A6	400 KCMIL	400 KCMIL		1/2	1	.56 [14]	1	1.19 [30]	2.26 [57]	1.62 [41]	1.88 [48]	1.75 [44]	4.92 [125]	.88 [22]	.43 [11]		GREEN	472	2-1/2"	90°C
YA32A3	400 KCMIL	400 KCMIL		1/2	2	.56 [14]	2	1.19 [30]	2.26 [57]	1.62 [41]	3.11 [79]		6.15 [156]	.63 [16]	.43 [11]		GREEN	472	2-1/2"	90°C
YA32A5	400 KCMIL	400 KCMIL		3/8	2	.44 [11]	2	1.19 [30]	2.26 [57]	1.62 [41]	1.89 [48]	1.00 [25]	4.93 [125]	.44 [11]	.43 [11]		GREEN	472	2-1/2"	90°C
YA34A1	500 KCMIL	500 KCMIL	350 KCMIL DLO (551/22)	5/8	1	.69 [18]	1	1.32 [34]	2.34 [59]	1.80 [46]	1.91 [49]		5.56 [141]	.88 [22]	.46 [12]		PINK	300	2-5/8"	90°C
YA34A7	500 KCMIL	500 KCMIL	350 KCMIL DLO (551/22)	1/2	1	.56 [14]	1	1.32 [34]	2.34 [59]	1.80 [46]	1.37 [35]		5.02 [128]	.63 [16]	.46 [12]		PINK	300	2-5/8"	90°C
YA34A3	500 KCMIL	500 KCMIL	350 KCMIL DLO (551/22)	1/2	2	.56 [14]	2	1.32 [34]	2.34 [59]	1.62 [41]	3.15 [80]	1.75 [44]	6.80 [173]	.63 [16]	.46 [12]		PINK	300	2-5/8"	90°C
YA34A8	500 KCMIL	500 KCMIL	350 KCMIL DLO (551/22)	1/2	2	.56 [14]	2	1.32 [34]	2.34 [59]	1.80 [46]	3.15 [80]	1.75 [44]	6.77 [172]	.63 [16]	.46 [12]		PINK	300	2-5/8"	90°C
YA34A5	500 KCMIL	500 KCMIL	350 KCMIL DLO (551/22)	3/8	2	.44 [11]	2	1.32 [34]	2.34 [59]	1.80 [46]	1.89 [48]	1.00 [25]	5.54 [141]	.44 [11]	.46 [12]		PINK	300	2-5/8"	90°C
YA34A390	500 KCMIL	500 KCMIL	350 KCMIL DLO (551/22)	1/2	2	.56 [14]	4	1.32 [34]	2.34 [59]	1.62 [41]	3.15 [80]	1.75 [44]	4.09 [104]	.63 [16]	.46 [12]	4.59 [117]	PINK	300	2-5/8"	90°C
YA36A1	600 KCMIL	600 KCMIL	500 KCMIL DLO (779/22)	5/8	1	.69 [18]	1	1.44 [37]	2.47 [63]	1.97 [50]	1.88 [48]		5.82 [148]	.88 [22]	.46 [12]		BLACK	473	2-7/8"	90°C
YA36A8	600 KCMIL	600 KCMIL	500 KCMIL DLO (779/22)	1/2	1	.56 [14]	1	1.44 [37]	2.47 [63]	1.97 [50]	1.69 [43]		5.64 [143]	.69 [18]	.52 [13]		BLACK	473	2-7/8"	90°C
YA36A3	600 KCMIL	600 KCMIL	500 KCMIL DLO (779/22)	1/2	2	.56 [14]	2	1.44 [37]	2.47 [63]	1.62 [41]	3.15 [80]	1.75 [44]	7.09 [180]	.63 [16]	.52 [13]		BLACK	473	2-7/8"	90°C
YA36A17	600 KCMIL	600 KCMIL	500 KCMIL DLO (779/22)	1/2	2	.56 [14]	2	1.44 [37]	2.47 [63]	1.97 [50]	3.15 [80]	1.75 [44]	7.06 [179]	.63 [16]	.52 [13]		BLACK	473	2-7/8"	90°C
YA36A19	600 KCMIL	600 KCMIL	500 KCMIL DLO (779/22)	1/2	2	.56 [14]	2	1.44 [37]	2.47 [63]	1.97 [50]	3.15 [80]	2.31 [59]	7.62 [194]	.63 [16]	.52 [13]		BLACK	473	2-7/8"	90°C
YA36A5	600 KCMIL	600 KCMIL	500 KCMIL DLO (779/22)	3/8	2	.44 [11]	2	1.44 [37]	2.47 [63]	1.97 [50]	1.89 [48]	1.00 [25]	5.64 [143]	.69 [18]	.52 [13]		BLACK	473	2-7/8"	90°C
YA36A3NT131	600 KCMIL	600 KCMIL	500 KCMIL DLO (779/22)	1/2	2	.56 [14]	2	1.44 [37]	2.47 [63]	1.31 [33]	3.15 [80]	1.75 [44]	7.09 [180]	.63 [16]	.52 [13]		BLACK	473	2-7/8"	90°C
YA39A1	700-750 KCMIL 900 COMPACT	750 KCMIL	600 KCMIL DLO (925/22)	1/2	1	.56 [14]	1	1.46 [37]	2.46 [62]	2.05 [52]	1.34 [34]		5.26 [134]	.63 [16]	.43 [11]		YELLOW	936	2-7/8"	90°C
YA39A3	700-750 KCMIL 900 COMPACT	750 KCMIL	600 KCMIL DLO (925/22)	5/8	1	.69 [18]	1	1.46 [37]	2.46 [62]	2.05 [52]	1.89 [48]		5.80 [147]	.88 [22]	.43 [11]		YELLOW	936	2-7/8"	90°C
YA39A34	700-750 KCMIL 900 COMPACT	750 KCMIL	600 KCMIL DLO (925/22)	3/4	1	.81 [21]	1	1.46 [37]	2.46 [62]	2.05 [52]	2.19 [56]	1.75 [44]	6.17 [157]	1.00 [25]	.43 [11]		YELLOW	936	2-7/8"	90°C
YA39A5	700-750 KCMIL 900 COMPACT	750 KCMIL	600 KCMIL DLO (925/22)	1/2	2	.56 [14]	2	1.46 [37]	2.46 [62]	1.62 [41]	3.15 [80]	1.75 [44]	7.07 [180]	.63 [16]	.43 [11]		YELLOW	936	2-7/8"	90°C
YA39A13	700-750 KCMIL 900 COMPACT	750 KCMIL	600 KCMIL DLO (925/22)	1/2	2	.56 [14]	2	1.46 [37]	2.46 [62]	2.05 [52]	3.15 [80]		7.04 [179]	.63 [16]	.43 [11]		YELLOW	936	2-7/8"	90°C



NOTES:

- CONNECTOR: UNINSULATED ALUMINUM COMPRESSION TERMINAL. MADE FROM SEAMLESS ALUMINUM TUBING.
- CONNECTION: COMPRESSION CONNECTIONS MADE ARE IRREVERSIBLE AND MAINTENANCE FREE.
- APPLICABLE STANDARDS: PRODUCTS ARE ONLY UL LISTED AND CSA CERTIFIED WHEN INSTALLED USING THE BURNDY ENGINEERED SYSTEM: TOOLS, DIES (IF APPLICABLE), AND CONNECTORS. THE USE OF OTHER INDUSTRY TOOLING AND OR DIES ON BURNDY CONNECTORS WILL VOID THE UL LISTING AND CSA CERTIFICATIONS.
 - UL LISTING TO UL486A-486B-WIRE CONNECTORS
 - CSA C22.2
- TEMPERATURE AND VOLTAGE RATING:
 - UL LISTED 90°C OR 75°C, UP TO 35kV *SEE CONNECTOR FINISHES FOR ADDITIONAL SERVICE TEMPERATURE RATINGS.
 - ALUMINUM CONNECTORS MARKED AL9CU ACCOMMODATE ALUMINUM (AL) AND COPPER (CU) CODE WIRE UP TO 90°C.
 - ALUMINUM CONNECTORS MARKED AL7CU ACCOMMODATE ALUMINUM (AL) AND COPPER (CU) CODE WIRE UP TO 75°C.
- WIRE ACCOMMODATE TYPES (SEE TABLE): DUAL RATED TO ACCOMMODATE ALUMINUM AND COPPER WIRE.
 - CODE ALUMINUM WIRE (CU): CLASS B (CONCENTRIC, COMPRESS, COMPACT) STRANDING.
 - CODE COPPER WIRE (AL): CLASS B (CONCENTRIC, COMPRESS, COMPACT) OR CLASS C STRANDING.
 - COPPER CLAD ALUMINUM (CCA) STRANDING: SEE TABLE FOR SELECT TERMINALS AND APPLICABLE CCA WIRE SIZES.
- CONNECTOR FINISHES AND SUFFIX: SEE SECTION C OF THE BURNDY MASTER CATALOG FOR PLATING SERVICE TEMPERATURE RATINGS.
 - ELECTRO-TIN PLATED: CONNECTORS HAVING NO SUFFIX ARE TIN PLATED UNLESS OTHERWISE SPECIFIES. CATALOG NUMBER EXAMPLE: YA34A3.
 - NICKEL PLATED: APPLY SUFFIX "NK" TO A CATALOG NUMBER IN THE TABLE, IF NOT SPECIFIED. CATALOG NUMBER EXAMPLE: YA34A3NK.
 - SILVER PLATED: APPLY SUFFIX "SV" TO A CATALOG NUMBER IN THE TABLE, IF NOT SPECIFIED. CATALOG NUMBER EXAMPLE: YA34A3SV.
 - TIN ZINC : APPLY SUFFIX "TZ" TO A CATALOG NUMBER IN THE TABLE, IF NOT SPECIFIED. CATALOG NUMBER EXAMPLE: YA34A3TZ.
 - BARE CONNECTORS: APPLYING SUFFIX "BR" TO A CATALOG NUMBER IN THE TABLE, IF NOT SPECIFIED. CATALOG NUMBER EXAMPLE: YA343BR.
- FEATURES:
 - BARREL TYPICAL ROLL MARKINGS (AS SPACE PERMITS): CRIMP ZONE IS INDICATED BY KNURL BANDS, BURNDY CORPORATE NAME OR LOGO, UL LOGO (IF APPLICABLE), CSA LOGO (IF APPLICABLE), WIRE SIZE, DIE COLOR CODE (IF SPACE PERMITS), DIE INDEX NUMBER.
 - BARREL DESIGN: BARREL END AT THE WIRE HAS AN INTERNAL CHAMFER, ALLOWING FOR A SMOOTH WIRE INSERTION.
 - TERMINALS ARE PRE-FILLED WITH PENETROX™ A13, WHICH IS AN OXIDE INHIBITOR.
 - EACH TERMINAL HAS A COLOR-CODED END CAP TO MATCH THE DIE COLOR CODE. THIS ALSO PREVENTS PARTICLES FROM ENTERING THE BARREL.
 - PAD/TONGUE/TANG/SPADE DESIGN: ONE-HOLE, TWO-HOLE, AND FOUR HOLE DESIGNS. CONTACT CUSTOMER SERVICE FOR ALTERNATE PAD CONFIGURATIONS.
 - FIELD BENDING STRAIGHT LUGS TO ACHIEVE AN ANGULAR CONNECTION WILL VOID ALL APPLICABLE STANDARDS LISTED IN NOTE 2.
 - CATALOG NUMBER SUFFIX DT OR DTS: INDICATES THAT THE TRANSITION IN THE TERMINAL BETWEEN THE PAD AND BARREL ARE SOLDER OR BRAZE SEALED TO BE OIL TIGHT INSIDE THE BARREL. THIS PREVENTS ANY LIQUIDS FROM EXITING OR ENTERING THE BARREL THROUGH THE PAD.
 - IF NOT LISTED IN THE TABLE, PLEASE CONTACT CUSTOMER SERVICE FOR 45°, 90°, AND OR OTHER ANGULAR LUGS FOR PRODUCT AVAILABILITY. CATALOG NUMBER SUFFIX 45 INDICATES THAT THE TERMINAL IS BENT AT A 45 DEGREE ANGLE. CATALOG NUMBER SUFFIX 90 INDICATES THAT THE TERMINAL IS BENT AT A 90 DEGREE ANGLE.
- INSTALLATION TOOLING AND DIES ARE CONSTANTLY BEING UPDATED. PLEASE SEE BURNDY MASTER CATALOG FOR THIS PRODUCT FAMILY, WHICH CAN BE FOUND ON THE BURNDY WEBSITE.
- SPECIAL REQUIREMENTS:
 - YA39A- CONNECTORS: 900 KCMIL CLASS B COMPACT WIRE REQUIRES THE USE OF THE 644 SERIES OR 444 SERIES DIE-LESS INSTALLATION TOOLS AND 2 CRIMPS.
 - YA42A- CONNECTORS: 600 KCMIL CU REQUIRES THE USE OF THE 644 SERIES OR 444 SERIES DIE-LESS INSTALLATION TOOLS.
 - YA44A- CONNECTORS ACCOMMODATE 1100 KCMIL WIRE CLASS A AND CLASS B COMPACT, BUT IS NOT UL LISTED OR CSA CERTIFIED.
- DIMENSIONS IN BRACKETS [] ARE IN MILLIMETERS ROUNDED OFF TO THE NEAREST MILLIMETER, UNLESS OTHERWISE SPECIFIED AND ARE FOR REFERENCE ONLY.
- CATALOG NUMBER SCHEME: EX: YA34A3.
 - Y = COMPRESSION, A = TERMINAL, 34 = WIRE SIZE (500 KCMIL), A = ALUMINUM CONNECTOR, 3 = HOLE SIZE AND PATTERN.

- TYPICAL MARKINGS:**
- BURNDY COMPANY IDENTIFIER
 - UL LOGO, IF APPLICABLE
 - CSA LOGO, IF APPLICABLE
 - BURNDY CATALOG NUMBER
 - WIRE ACCOMMODATES
 - COLOR CODE IDENTIFIER
 - DIE INDEX NUMBER
 - CRIMP ZONE BANDS (KNURL MARKS)



TO ORDER BURNDY® PRODUCTS CALL
 UNITED STATES
 1-800-346-4175 (LONDONDERRY, NH)

CANADA:
 1-800-387-6487

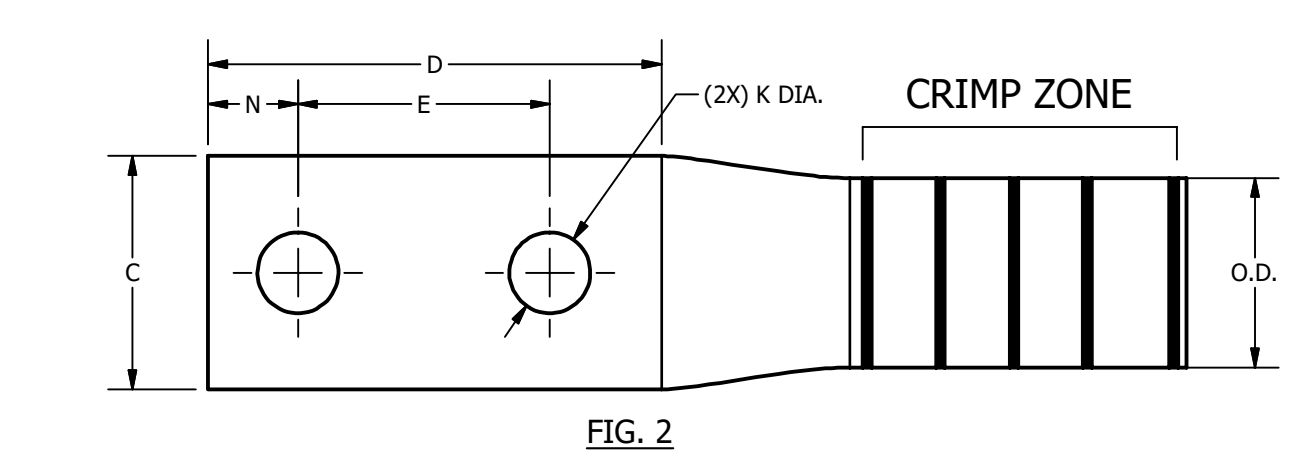
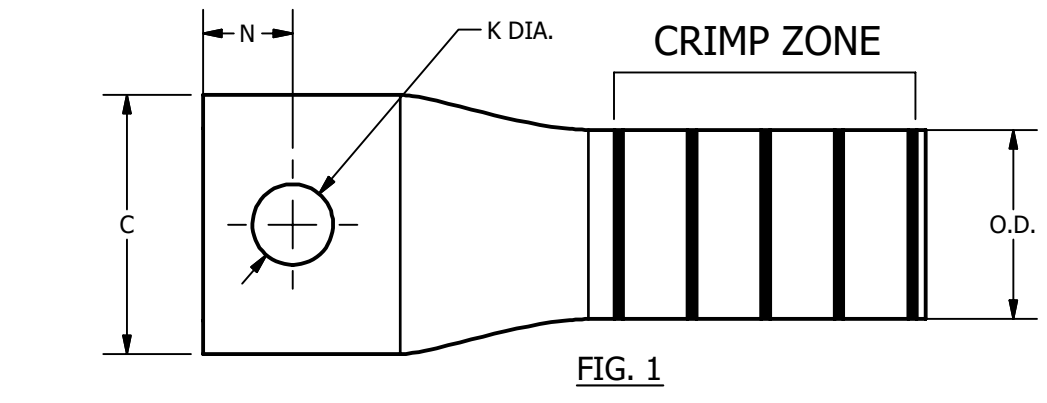
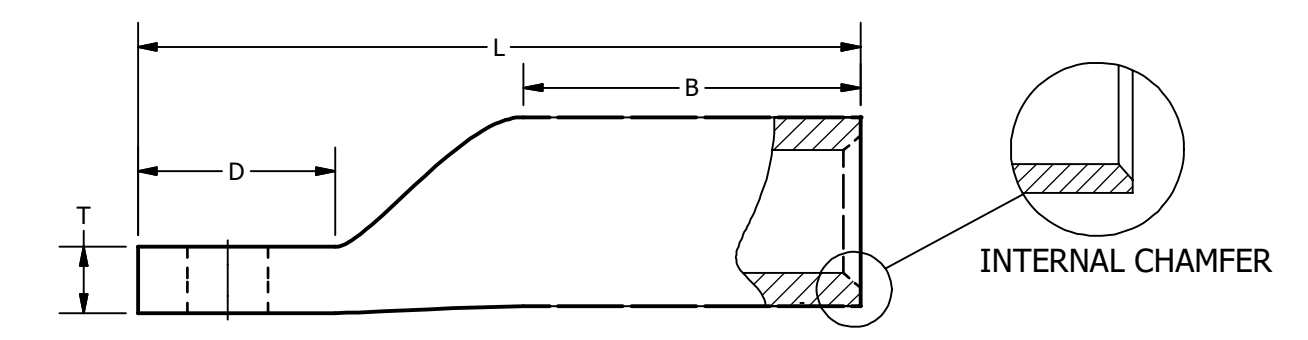
FOR PRODUCT INFO: <http://www.burndy.com>

HYLUG™	
ITEM NO:	SEE TABLE
CAT. NO:	SEE TABLE
DRAWN BY:	E.S.K 7/19/1972
CHECKER:	S.F.P 8/1/1972
DSN APRVL:	R.B. 8/2/1972
MFG APRVL:	
QA APRVL:	D.VARIO 6/19/1995
MKT APRVL:	
PROD FAM:	CM&R COMPRESSION
PROJECT #:	--
DOCUMENT TYPE:	SALES
REL LEVEL:	Released
DRAWING NO:	SD..073935-01
REV:	BG
SHEET	3 OF 10



6 11 CATALOG NUMBER	5 WIRE / CONDUCTOR SIZE			STUD SIZE	NO. OF HOLES	STUD HOLE DIAMETER (K)	FIG.	OUTSIDE DIAMETER (OD)	BARREL LENGTH (B)	PAD WIDTH (C)	PAD LENGTH (D)	HOLE SPACING (E > F)	OVERALL LENGTH (L)	HOLE OFFSET (N)	PAD THICKNESS (T)	HEIGHT (H)	COLOR CODE	DIE INDEX	WIRE STRIP LENGTH	4 TEMP RATING
	ALUMINUM	COPPER	CCA																	
YA39AM2	700-750 KCMIL 900 COMPACT	750 KCMIL	600 KCMIL DLO (925/22)	1/2	2	.56 [14]	2	1.60 [41]	2.56 [65]	1.69 [43]	3.12 [79]	1.75 [44]	7.31 [186]	.63 [16]	.57 [14]		RED	301	2 - 7/8"	90°C
YA39AM3	700-750 KCMIL 900 COMPACT	750 KCMIL	600 KCMIL DLO (925/22)	1/2	2	.56 [14]	2	1.60 [41]	2.56 [65]	1.69 [43]	3.88 [99]	1.75 [44]	8.07 [205]	.63 [16]	.57 [14]		RED	301	2 - 7/8"	90°C
YA40A1	800 KCMIL	800 KCMIL		5/8	1	.69 [18]	1	1.65 [42]	2.56 [65]	1.65 [42]	1.87 [47]		6.12 [155]	.88 [22]	.60 [15]		GRAY	474	3"	90°C
YA40A3	800 KCMIL	800 KCMIL		1/2	2	.56 [14]	2	1.65 [42]	2.56 [65]	2.25 [57]	3.16 [80]	1.75 [44]	7.41 [188]	.63 [16]	.60 [15]		GRAY	474	3"	90°C

REV	DATE	DESCRIPTION	ECO	BY	CHK.
BG	09/13/2022	UPDATED DRAWING AS PER FPN2208041	220912023912	RA	YR

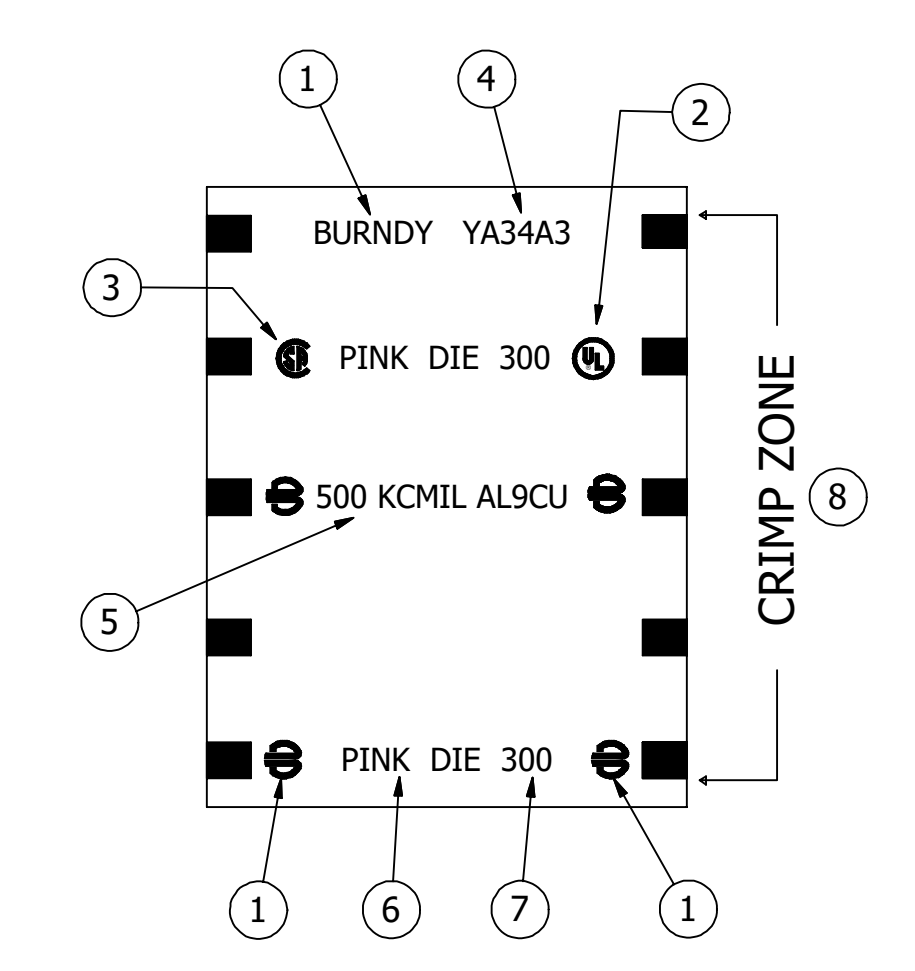


NOTES:

- CONNECTOR: UNINSULATED ALUMINUM COMPRESSION TERMINAL. MADE FROM SEAMLESS ALUMINUM TUBING.
- CONNECTION: COMPRESSION CONNECTIONS MADE ARE IRREVERSIBLE AND MAINTENANCE FREE.
- APPLICABLE STANDARDS: PRODUCTS ARE ONLY UL LISTED AND CSA CERTIFIED WHEN INSTALLED USING THE BURNDY ENGINEERED SYSTEM: TOOLS, DIES (IF APPLICABLE), AND CONNECTORS. THE USE OF OTHER INDUSTRY TOOLING AND OR DIES ON BURNDY CONNECTORS WILL VOID THE UL LISTING AND CSA CERTIFICATIONS.
 - UL LISTING TO UL486A-486B-WIRE CONNECTORS
 - CSA C22.2
- TEMPERATURE AND VOLTAGE RATING:
 - UL LISTED 90°C OR 75°C, UP TO 35kV *SEE CONNECTOR FINISHES FOR ADDITIONAL SERVICE TEMPERATURE RATINGS.
 - ALUMINUM CONNECTORS MARKED AL9CU ACCOMMODATE ALUMINUM (AL) AND COPPER (CU) CODE WIRE UP TO 90°C.
 - ALUMINUM CONNECTORS MARKED AL7CU ACCOMMODATE ALUMINUM (AL) AND COPPER (CU) CODE WIRE UP TO 75°C.
- WIRE ACCOMMODATE TYPES (SEE TABLE): DUAL RATED TO ACCOMMODATE ALUMINUM AND COPPER WIRE.
 - CODE ALUMINUM WIRE (CU): CLASS B (CONCENTRIC, COMPRESS, COMPACT) STRANDING.
 - CODE COPPER WIRE (AL): CLASS B (CONCENTRIC, COMPRESS, COMPACT) OR CLASS C STRANDING.
 - COPPER CLAD ALUMINUM (CCA) STRANDING: SEE TABLE FOR SELECT TERMINALS AND APPLICABLE CCA WIRE SIZES.
- CONNECTOR FINISHES AND SUFFIX: SEE SECTION C OF THE BURNDY MASTER CATALOG FOR PLATING SERVICE TEMPERATURE RATINGS.
 - ELECTRO-TIN PLATED: CONNECTORS HAVING NO SUFFIX ARE TIN PLATED UNLESS OTHERWISE SPECIFIES. CATALOG NUMBER EXAMPLE: YA34A3.
 - NICKEL PLATED: APPLY SUFFIX "NK" TO A CATALOG NUMBER IN THE TABLE, IF NOT SPECIFIED. CATALOG NUMBER EXAMPLE: YA34A3NK.
 - SILVER PLATED: APPLY SUFFIX "SV" TO A CATALOG NUMBER IN THE TABLE, IF NOT SPECIFIED. CATALOG NUMBER EXAMPLE: YA34A3SV.
 - TIN ZINC : APPLY SUFFIX "TZ" TO A CATALOG NUMBER IN THE TABLE, IF NOT SPECIFIED. CATALOG NUMBER EXAMPLE: YA34A3TZ.
 - BARE CONNECTORS: APPLYING SUFFIX "BR" TO A CATALOG NUMBER IN THE TABLE, IF NOT SPECIFIED. CATALOG NUMBER EXAMPLE: YA343BR.
- FEATURES:
 - BARREL TYPICAL ROLL MARKINGS (AS SPACE PERMITS): CRIMP ZONE IS INDICATED BY KNURL BANDS, BURNDY CORPORATE NAME OR LOGO, UL LOGO (IF APPLICABLE), CSA LOGO (IF APPLICABLE), WIRE SIZE, DIE COLOR CODE (IF SPACE PERMITS), DIE INDEX NUMBER.
 - BARREL DESIGN: BARREL END AT THE WIRE HAS AN INTERNAL CHAMFER, ALLOWING FOR A SMOOTH WIRE INSERTION.
 - TERMINALS ARE PRE-FILLED WITH PENETROX™ A13, WHICH IS AN OXIDE INHIBITOR.
 - EACH TERMINAL HAS A COLOR-CODED END CAP TO MATCH THE DIE COLOR CODE. THIS ALSO PREVENTS PARTICLES FROM ENTERING THE BARREL.
 - PAD/TONGUE/TANG/SPADE DESIGN: ONE-HOLE, TWO-HOLE, AND FOUR HOLE DESIGNS. CONTACT CUSTOMER SERVICE FOR ALTERNATE PAD CONFIGURATIONS.
 - FIELD BENDING STRAIGHT LUGS TO ACHIEVE AN ANGULAR CONNECTION WILL VOID ALL APPLICABLE STANDARDS LISTED IN NOTE 2.
 - CATALOG NUMBER SUFFIX DT OR DTS: INDICATES THAT THE TRANSITION IN THE TERMINAL BETWEEN THE PAD AND BARREL ARE SOLDER OR BRAZE SEALED TO BE OIL TIGHT INSIDE THE BARREL. THIS PREVENTS ANY LIQUIDS FROM EXITING OR ENTERING THE BARREL THROUGH THE PAD.
 - IF NOT LISTED IN THE TABLE, PLEASE CONTACT CUSTOMER SERVICE FOR 45°, 90°, AND OR OTHER ANGULAR LUGS FOR PRODUCT AVAILABILITY. CATALOG NUMBER SUFFIX 45 INDICATES THAT THE TERMINAL IS BENT AT A 45 DEGREE ANGLE. CATALOG NUMBER SUFFIX 90 INDICATES THAT THE TERMINAL IS BENT AT A 90 DEGREE ANGLE.
- INSTALLATION TOOLING AND DIES ARE CONSTANTLY BEING UPDATED. PLEASE SEE BURNDY MASTER CATALOG FOR THIS PRODUCT FAMILY, WHICH CAN BE FOUND ON THE BURNDY WEBSITE.
- SPECIAL REQUIREMENTS:
 - YA39A- CONNECTORS: 900 KCMIL CLASS B COMPACT WIRE REQUIRES THE USE OF THE 644 SERIES OR 444 SERIES DIE-LESS INSTALLATION TOOLS AND 2 CRIMPS.
 - YA42A- CONNECTORS: 600 KCMIL CU REQUIRES THE USE OF THE 644 SERIES OR 444 SERIES DIE-LESS INSTALLATION TOOLS.
 - YA44-A- CONNECTORS ACCOMMODATE 1100 KCMIL WIRE CLASS A AND CLASS B COMPACT, BUT IS NOT UL LISTED OR CSA CERTIFIED.
- DIMENSIONS IN BRACKETS [] ARE IN MILLIMETERS ROUNDED OFF TO THE NEAREST MILLIMETER, UNLESS OTHERWISE SPECIFIED AND ARE FOR REFERENCE ONLY.
- CATALOG NUMBER SCHEME: EX: YA34A3.
 - Y = COMPRESSION, A = TERMINAL, 34 = WIRE SIZE (500 KCMIL), A = ALUMINUM CONNECTOR, 3 = HOLE SIZE AND PATTERN.

TYPICAL MARKINGS:

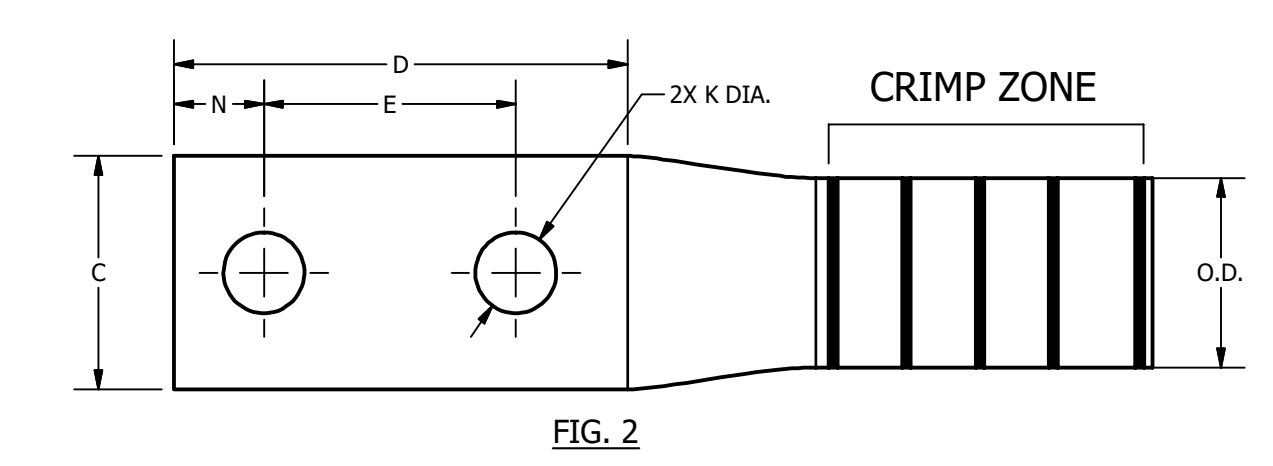
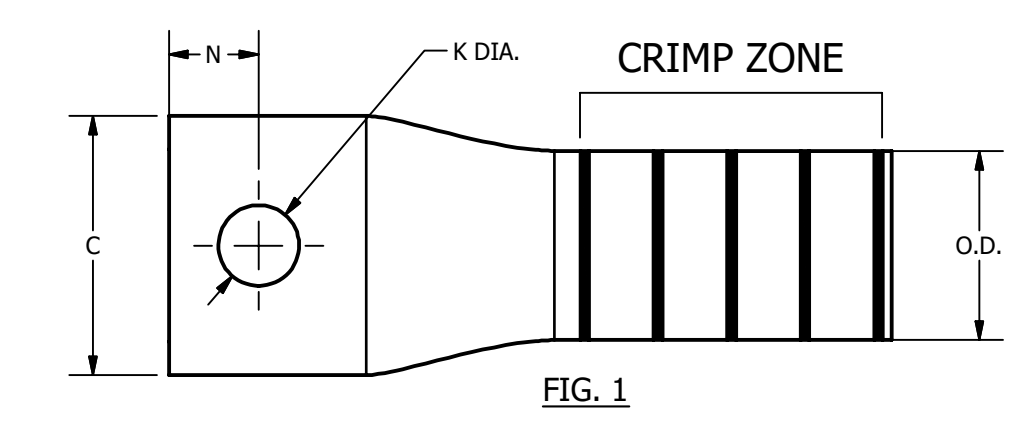
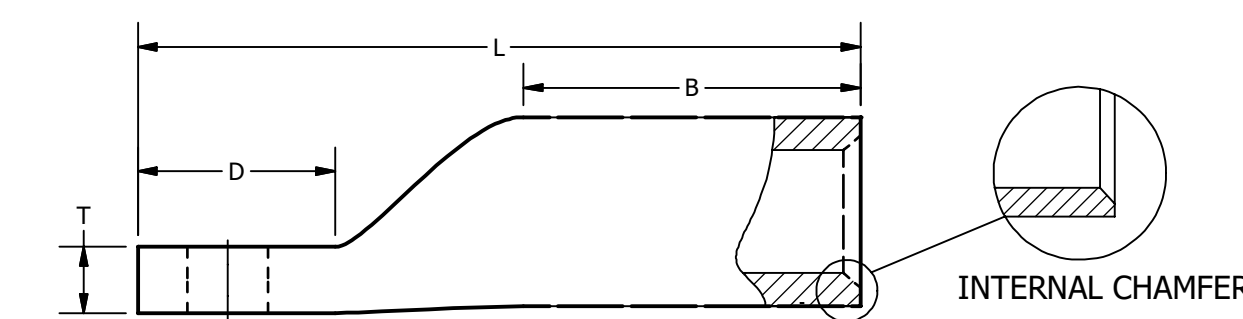
- BURNDY COMPANY IDENTIFIER
- UL LOGO, IF APPLICABLE
- CSA LOGO, IF APPLICABLE
- BURNDY CATALOG NUMBER
- WIRE ACCOMMODATES
- COLOR CODE IDENTIFIER
- DIE INDEX NUMBER
- CRIMP ZONE BANDS (KNURL MARKS)



<p>TO ORDER BURNDY® PRODUCTS CALL</p> <p>UNITED STATES 1-800-346-4175 (LONDONDERRY, NH)</p> <p>CANADA: 1-800-387-6487</p> <p>FOR PRODUCT INFO: http://www.burndy.com</p>	HYLUG™	
	ITEM NO: SEE TABLE	
	CAT. NO: SEE TABLE	
	DRAWN BY: E.S.K	7/19/1972
	CHECKER: S.F.P	8/1/1972
	DSN APRVL: R.B.	8/2/1972
	MFG APRVL:	
	QA APRVL: D.VARIO	6/19/1995
	MKT APRVL:	
	PROD FAM: CM&R COMPRESSION	DRAWING NO
PROJECT #: --	SIZE	
DOCUMENT TYPE: SALES	SD..073935-01	
REL LEVEL: Released	SHEET 4 OF 10	
	BG	

6 CATALOG NUMBER	5 WIRE / CONDUCTOR SIZE			STUD SIZE	NO. OF HOLES	STUD HOLE DIAMETER (K)	FIG.	OUTSIDE DIAMETER (OD)	BARREL LENGTH (B)	PAD WIDTH (C)	PAD LENGTH (D)	HOLE SPACING (E >> F)	OVERALL LENGTH (L)	HOLE OFFSET (N)	PAD THICKNESS (T)	HEIGHT (H)	COLOR CODE	DIE INDEX	WIRE STRIP LENGTH	4 TEMP RATING
	ALUMINUM	COPPER	CCA																	
YA42A1	900 KCMIL	600 KCMIL		1/2	1	.56 [14]	1	1.50 [38]	2.46 [62]	2.14 [54]	1.36 [35]		5.32 [135]	.63 [16]	.39 [10]		GRAY	303	2 - 7/8"	90°C
YA42A3	900 KCMIL	600 KCMIL		5/8	1	.69 [18]	1	1.50 [38]	2.46 [62]	2.14 [54]	1.86 [47]		5.82 [148]	.88 [22]	.39 [10]		GRAY	303	2 - 7/8"	90°C
YA42A5	900 KCMIL	600 KCMIL		1/2	2	.56 [14]	2	1.50 [38]	2.46 [62]	1.62 [41]	3.13 [79]	1.75 [44]	7.09 [180]	.63 [16]	.39 [10]		GRAY	303	2 - 7/8"	90°C
YA42A7	900 KCMIL	600 KCMIL		3/8	2	.44 [11]	2	1.50 [38]	2.46 [62]	2.14 [54]	2.00 [51]	1.00 [25]	5.96 [151]	.44 [11]	.39 [10]		GRAY	303	2 - 7/8"	90°C

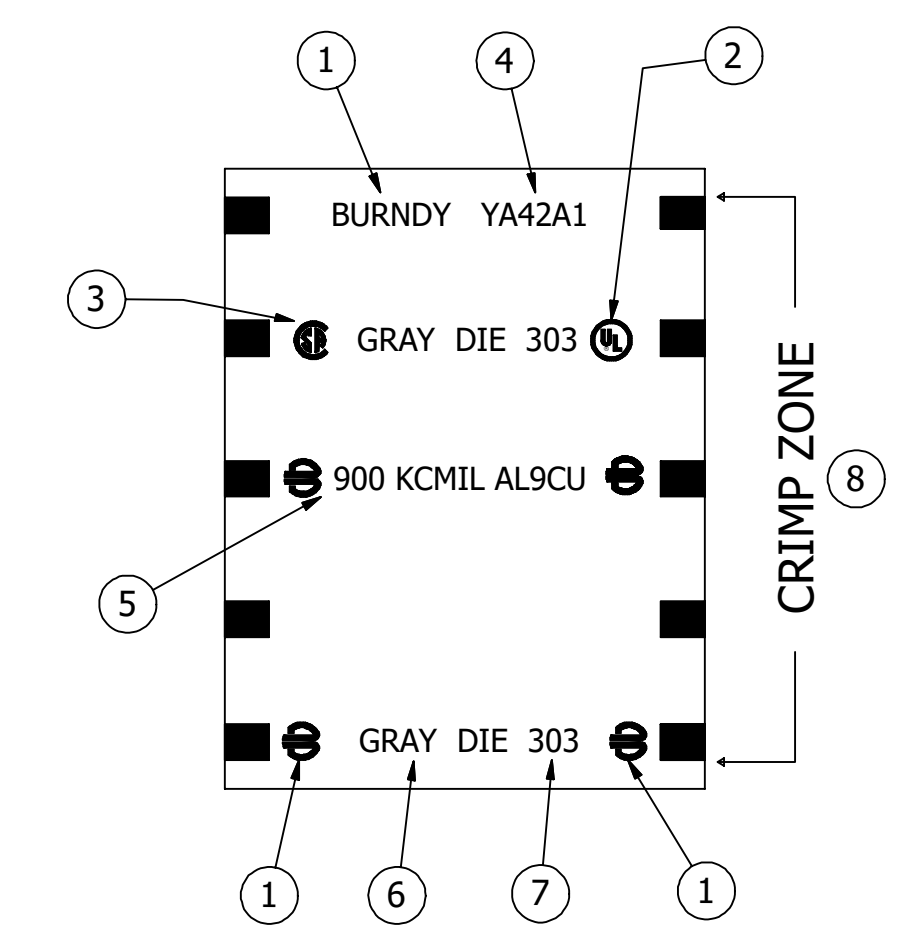
REV	DATE	DESCRIPTION	ECO	BY	CHK.
BG	09/13/2022	UPDATED DRAWING AS PER FPN2208041	220912023912	RA	YR



NOTES:

- CONNECTOR: UNINSULATED ALUMINUM COMPRESSION TERMINAL. MADE FROM SEAMLESS ALUMINUM TUBING.
- CONNECTION: COMPRESSION CONNECTIONS MADE ARE IRREVERSIBLE AND MAINTENANCE FREE.
- APPLICABLE STANDARDS: PRODUCTS ARE ONLY UL LISTED AND CSA CERTIFIED WHEN INSTALLED USING THE BURNDY ENGINEERED SYSTEM: TOOLS, DIES (IF APPLICABLE), AND CONNECTORS. THE USE OF OTHER INDUSTRY TOOLING AND OR DIES ON BURNDY CONNECTORS WILL VOID THE UL LISTING AND CSA CERTIFICATIONS.
 - UL LISTING TO UL486A-486B-WIRE CONNECTORS
 - CSA C22.2
- TEMPERATURE AND VOLTAGE RATING:
 - UL LISTED 90°C OR 75°C, UP TO 35kV *SEE CONNECTOR FINISHES FOR ADDITIONAL SERVICE TEMPERATURE RATINGS.
 - ALUMINUM CONNECTORS MARKED AL9CU ACCOMMODATE ALUMINUM (AL) AND COPPER (CU) CODE WIRE UP TO 90°C.
 - ALUMINUM CONNECTORS MARKED AL7CU ACCOMMODATE ALUMINUM (AL) AND COPPER (CU) CODE WIRE UP TO 75°C.
- WIRE ACCOMMODATE TYPES (SEE TABLE): DUAL RATED TO ACCOMMODATE ALUMINUM AND COPPER WIRE.
 - CODE ALUMINUM WIRE (CU): CLASS B (CONCENTRIC, COMPRESS, COMPACT) STRANDING.
 - CODE COPPER WIRE (AL): CLASS B (CONCENTRIC, COMPRESS, COMPACT) OR CLASS C STRANDING.
 - COPPER CLAD ALUMINUM (CCA) STRANDING: SEE TABLE FOR SELECT TERMINALS AND APPLICABLE CCA WIRE SIZES.
- CONNECTOR FINISHES AND SUFFIX: SEE SECTION C OF THE BURNDY MASTER CATALOG FOR PLATING SERVICE TEMPERATURE RATINGS.
 - ELECTRO-TIN PLATED: CONNECTORS HAVING NO SUFFIX ARE TIN PLATED UNLESS OTHERWISE SPECIFIES. CATALOG NUMBER EXAMPLE: YA34A3.
 - NICKEL PLATED: APPLY SUFFIX "NK" TO A CATALOG NUMBER IN THE TABLE, IF NOT SPECIFIED. CATALOG NUMBER EXAMPLE: YA34A3NK.
 - SILVER PLATED: APPLY SUFFIX "SV" TO A CATALOG NUMBER IN THE TABLE, IF NOT SPECIFIED. CATALOG NUMBER EXAMPLE: YA34A3SV.
 - TIN ZINC : APPLY SUFFIX "TZ" TO A CATALOG NUMBER IN THE TABLE, IF NOT SPECIFIED. CATALOG NUMBER EXAMPLE: YA34A3TZ.
 - BARE CONNECTORS: APPLYING SUFFIX "BR" TO A CATALOG NUMBER IN THE TABLE, IF NOT SPECIFIED. CATALOG NUMBER EXAMPLE: YA343BR.
- FEATURES:
 - BARREL TYPICAL ROLL MARKINGS (AS SPACE PERMITS): CRIMP ZONE IS INDICATED BY KNURL BANDS, BURNDY CORPORATE NAME OR LOGO, UL LOGO (IF APPLICABLE), CSA LOGO (IF APPLICABLE), WIRE SIZE, DIE COLOR CODE (IF SPACE PERMITS), DIE INDEX NUMBER.
 - BARREL DESIGN: BARREL END AT THE WIRE HAS AN INTERNAL CHAMFER, ALLOWING FOR A SMOOTH WIRE INSERTION.
 - TERMINALS ARE PRE-FILLED WITH PENETROX™ A13, WHICH IS AN OXIDE INHIBITOR.
 - EACH TERMINAL HAS A COLOR-CODED END CAP TO MATCH THE DIE COLOR CODE. THIS ALSO PREVENTS PARTICLES FROM ENTERING THE BARREL.
 - PAD/TONGUE/TANG/SPADE DESIGN: ONE-HOLE, TWO-HOLE, AND FOUR HOLE DESIGNS. CONTACT CUSTOMER SERVICE FOR ALTERNATE PAD CONFIGURATIONS.
 - FIELD BENDING STRAIGHT LUGS TO ACHIEVE AN ANGULAR CONNECTION WILL VOID ALL APPLICABLE STANDARDS LISTED IN NOTE 2.
 - CATALOG NUMBER SUFFIX DT OR DTS: INDICATES THAT THE TRANSITION IN THE TERMINAL BETWEEN THE PAD AND BARREL ARE SOLDER OR BRAZE SEALED TO BE OIL TIGHT INSIDE THE BARREL. THIS PREVENTS ANY LIQUIDS FROM EXITING OR ENTERING THE BARREL THROUGH THE PAD.
 - IF NOT LISTED IN THE TABLE, PLEASE CONTACT CUSTOMER SERVICE FOR 45°, 90°, AND OR OTHER ANGULAR LUGS FOR PRODUCT AVAILABILITY. CATALOG NUMBER SUFFIX 45 INDICATES THAT THE TERMINAL IS BENT AT A 45 DEGREE ANGLE. CATALOG NUMBER SUFFIX 90 INDICATES THAT THE TERMINAL IS BENT AT A 90 DEGREE ANGLE.
- INSTALLATION TOOLING AND DIES ARE CONSTANTLY BEING UPDATED. PLEASE SEE BURNDY MASTER CATALOG FOR THIS PRODUCT FAMILY, WHICH CAN BE FOUND ON THE BURNDY WEBSITE.
- SPECIAL REQUIREMENTS:
 - YA39A- CONNECTORS: 900 KCMIL CLASS B COMPACT WIRE REQUIRES THE USE OF THE 644 SERIES OR 444 SERIES DIE-LESS INSTALLATION TOOLS AND 2 CRIMPS.
 - YA42A- CONNECTORS: 600 KCMIL CU REQUIRES THE USE OF THE 644 SERIES OR 444 SERIES DIE-LESS INSTALLATION TOOLS.
 - YA44A- CONNECTORS ACCOMMODATE 1100 KCMIL WIRE CLASS A AND CLASS B COMPACT, BUT IS NOT UL LISTED OR CSA CERTIFIED.
- DIMENSIONS IN BRACKETS [] ARE IN MILLIMETERS ROUNDED OFF TO THE NEAREST MILLIMETER, UNLESS OTHERWISE SPECIFIED AND ARE FOR REFERENCE ONLY.
- CATALOG NUMBER SCHEME: EX: YA34A3.
 - Y = COMPRESSION, A = TERMINAL, 34 = WIRE SIZE (500 KCMIL), A = ALUMINUM CONNECTOR, 3 = HOLE SIZE AND PATTERN.

- TYPICAL MARKINGS:
- BURNDY COMPANY IDENTIFIER
 - UL LOGO, IF APPLICABLE
 - CSA LOGO, IF APPLICABLE
 - BURNDY CATALOG NUMBER
 - WIRE ACCOMMODATES
 - COLOR CODE IDENTIFIER
 - DIE INDEX NUMBER
 - CRIMP ZONE BANDS (KNURL MARKS)

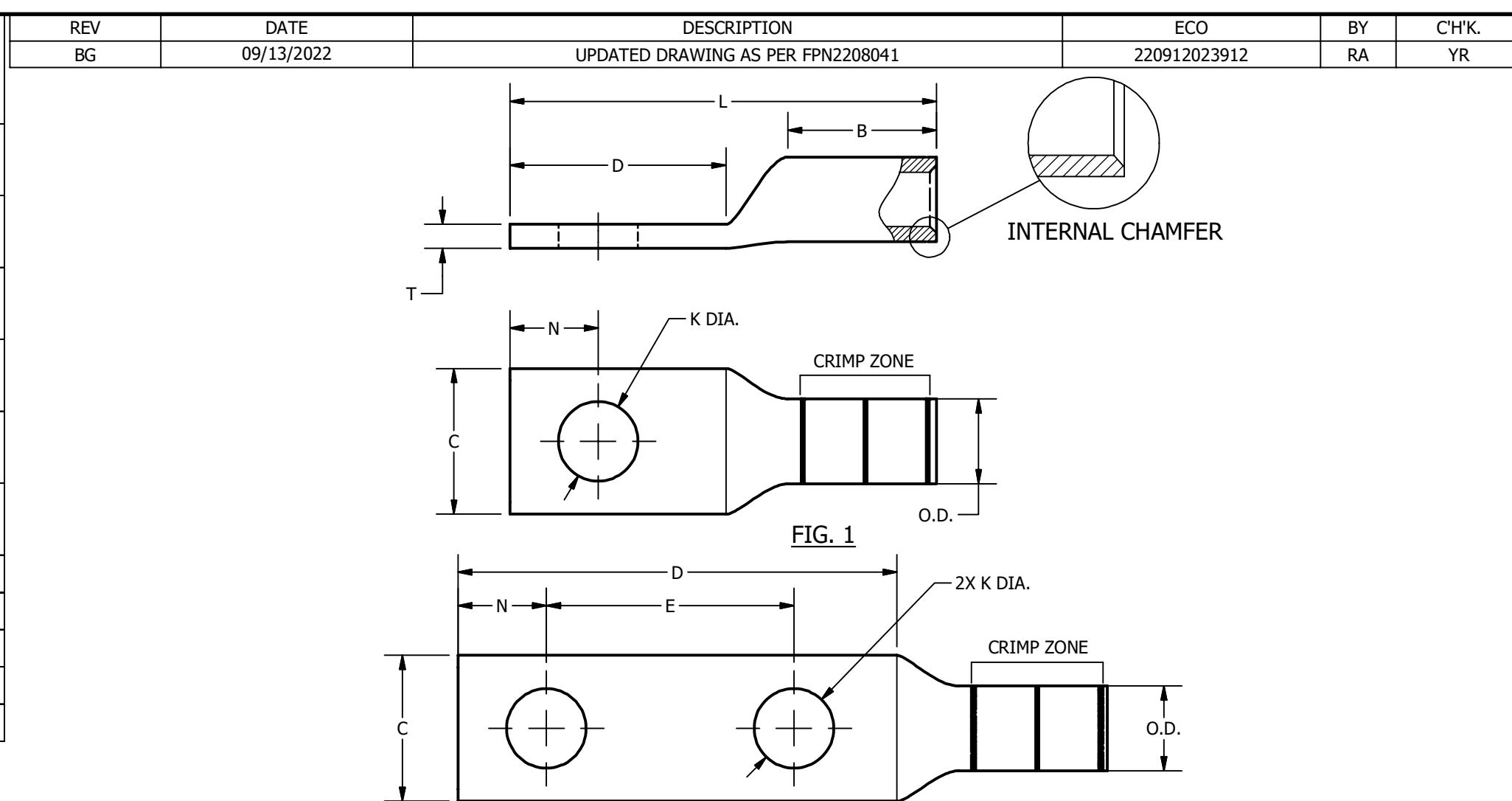


TO ORDER BURNDY® PRODUCTS CALL UNITED STATES 1-800-346-4175 (LONDONDERRY, NH) CANADA: 1-800-387-6487 FOR PRODUCT INFO: http://www.burndy.com	HYLUG™	
	ITEM NO: SEE TABLE	
	CAT. NO: SEE TABLE	
	DRAWN BY: E.S.K	7/19/1972
	CHECKER: S.F.P	8/1/1972
	DSN APRVL: R.B.	8/2/1972
	MFG APRVL:	
	QA APRVL: D.VARIO	6/19/1995
	MKT APRVL:	
	PROD FAM: CM&R COMPRESSION	DRAWING NO
PROJECT #: --	SIZE	SD..073935-01
DOCUMENT TYPE: SALES	D	
REL LEVEL: Released		SHEET 5 OF 10



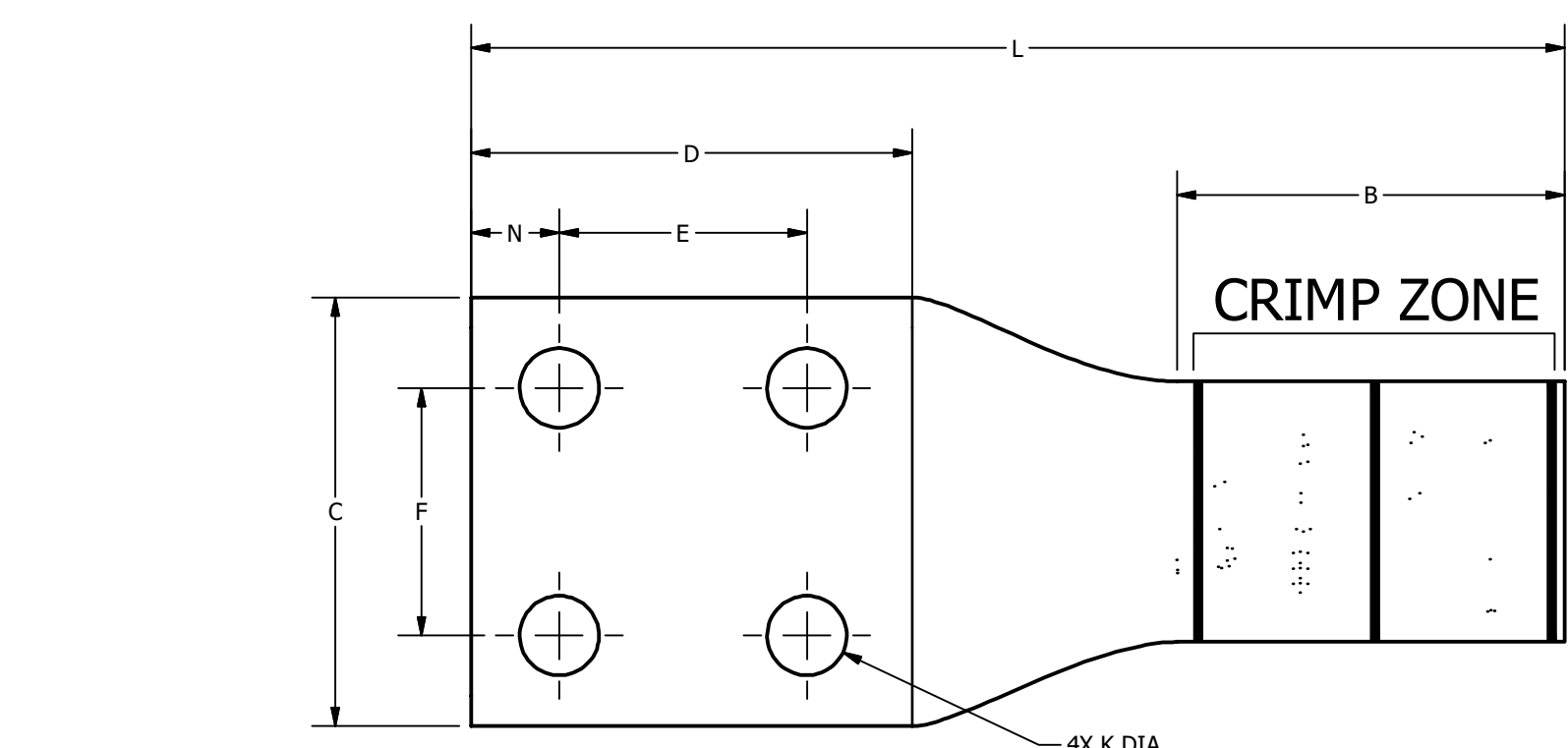
BG

CATALOG NUMBER	WIRE / CONDUCTOR SIZE			STUD SIZE	NO. OF HOLES	STUD HOLE DIAMETER (K)	FIG.	OUTSIDE DIAMETER (OD)	BARREL LENGTH (B)	PAD WIDTH (C)	PAD LENGTH (D)	HOLE SPACING (E >> F)	OVERALL LENGTH (L)	HOLE OFFSET (N)	PAD THICKNESS (T)	HEIGHT (H)	COLOR CODE	DIE INDEX	WIRE STRIP LENGTH	TEMP RATING
	ALUMINUM	COPPER	CCA																	
YA44A1	1000 KCMIL	1000 KCMIL	750 KCMIL DLO (1184/22) 800 KCMIL DLO (1258/22)	5/8	1	0.69 [18]	1	1.84 [47]	2.74 [70]	2.50 [64]	1.89 [48]		6.50 [165]	0.88 [22]	0.66 [17]		BROWN	302	3-1/8"	90°C
YA44A3	1000 KCMIL	1000 KCMIL	750 KCMIL DLO (1184/22) 800 KCMIL DLO (1258/22)	1/2	2	0.56 [14]	2	1.84 [47]	2.74 [70]	1.65 [42]	3.15 [80]	1.75 [44]	7.76 [197]	0.63 [16]	0.55 [14]		BROWN	302	3-1/8"	90°C
YA44A6	1000 KCMIL	1000 KCMIL	750 KCMIL DLO (1184/22) 800 KCMIL DLO (1258/22)	1/2	4	0.56 [14]	3	1.84 [47]	2.74 [70]	3.03 [77]	3.15 [80]	1.75 [44]	7.76 [197]	0.63 [16]	0.53 [13]		BROWN	302	3-1/8"	90°C
YA44A14	1000 KCMIL	1000 KCMIL	750 KCMIL DLO (1184/22) 800 KCMIL DLO (1258/22)	3/8	1	0.44 [11]	1	1.84 [47]	2.74 [70]	2.50 [64]	0.92 [23]		5.53 [140]	0.44 [11]	0.66 [17]		BROWN	302	3-1/8"	90°C
YA45A5	1250 KCMIL	1250 KCMIL	900 KCMIL DLO (1406/22) 1000 KCMIL DLO (1554/22)	1/2	2	0.56 [14]	2	1.84 [47]	2.74 [70]	2.59 [66]	3.12 [79]	1.75 [44]	7.73 [196]	0.63 [16]	0.51 [13]		BROWN	302	3-1/8"	75°C
YA45A7	1250 KCMIL	1250 KCMIL	900 KCMIL DLO (1406/22) 1000 KCMIL DLO (1554/22)	1/2	4	0.56 [14]	3	1.84 [47]	2.74 [70]	3.03 [77]	3.12 [12]	1.75 [44]	7.73 [196]	0.63 [16]	0.43 [11]		BROWN	302	3-1/8"	75°C
YA46A3	1500 KCMIL	1500 KCMIL		1/2	2	0.56 [14]	2	2.26 [57]	3.30 [84]	3.08 [78]	3.15 [80]	1.75 [44]	8.73 [222]	0.63 [16]	0.81 [21]		BLUE	478	3-3/4"	75°C
YA46A5	1500 KCMIL	1500 KCMIL		1/2	4	0.56 [14]	3	2.26 [57]	3.30 [84]	3.08 [78]	3.15 [80]	1.75 [44]	8.73 [222]	0.63 [16]	0.81 [21]		BLUE	478	3-3/4"	75°C
YA48A3	2000 KCMIL	2000 KCMIL		1/2	2	0.56 [14]	2	2.60 [66]	3.69 [94]	3.57 [91]	3.11 [79]	1.75 [44]	8.49 [216]	0.63 [16]	0.90 [23]		RED	479	4-1/8"	75°C
YA48A8	2000 KCMIL	2000 KCMIL		1/2	2	0.66 [17]	2	2.60 [66]	3.69 [94]	2.60 [66]	3.00 [76]	1.75 [44]	8.40 [216]	0.55 [14]	0.90 [23]		RED	479	4-1/8"	75°C
YA48A5	2000 KCMIL	2000 KCMIL		1/2	4	0.56 [41]	3	2.60 [66]	3.69 [94]	3.57 [91]	3.11 [79]	1.75 [44]	8.49 [216]	0.63 [16]	0.90 [23]	4.59 [117]	RED	479	4-1/8"	75°C

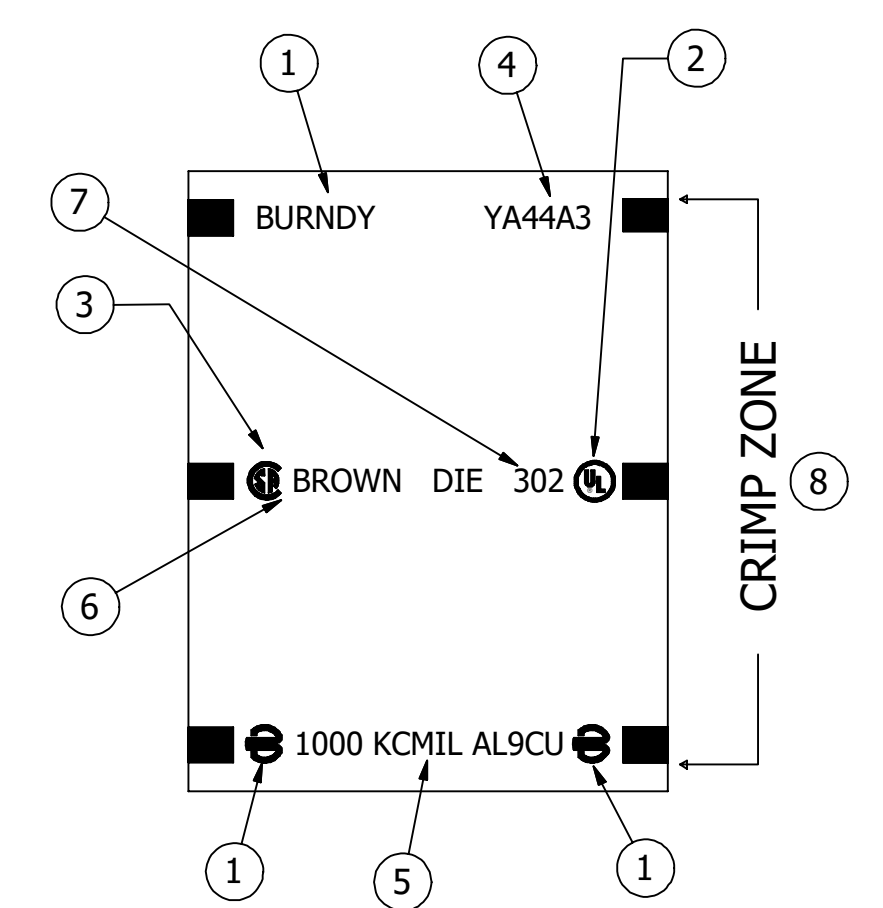


NOTES:

- CONNECTOR: UNINSULATED ALUMINUM COMPRESSION TERMINAL. MADE FROM SEAMLESS ALUMINUM TUBING.
- CONNECTION: COMPRESSION CONNECTIONS MADE ARE IRREVERSIBLE AND MAINTENANCE FREE.
- APPLICABLE STANDARDS: PRODUCTS ARE ONLY UL LISTED AND CSA CERTIFIED WHEN INSTALLED USING THE BURNDY ENGINEERED SYSTEM: TOOLS, DIES (IF APPLICABLE), AND CONNECTORS. THE USE OF OTHER INDUSTRY TOOLING AND OR DIES ON BURNDY CONNECTORS WILL VOID THE UL LISTING AND CSA CERTIFICATIONS.
 - UL LISTING TO UL486A-486B-WIRE CONNECTORS
 - CSA C22.2
- TEMPERATURE AND VOLTAGE RATING:
 - UL LISTED 90°C OR 75°C, UP TO 35KV *SEE CONNECTOR FINISHES FOR ADDITIONAL SERVICE TEMPERATURE RATINGS.
 - ALUMINUM CONNECTORS MARKED AL9CU ACCOMMODATE ALUMINUM (AL) AND COPPER (CU) CODE WIRE UP TO 90°C.
 - ALUMINUM CONNECTORS MARKED AL7CU ACCOMMODATE ALUMINUM (AL) AND COPPER (CU) CODE WIRE UP TO 75°C.
- WIRE ACCOMMODATE TYPES (SEE TABLE): DUAL RATED TO ACCOMMODATE ALUMINUM AND COPPER WIRE.
 - CODE ALUMINUM WIRE (CU): CLASS B (CONCENTRIC, COMPRESS, COMPACT) STRANDING.
 - CODE COPPER WIRE (AL): CLASS B (CONCENTRIC, COMPRESS, COMPACT) OR CLASS C STRANDING.
 - COPPER CLAD ALUMINUM (CCA) STRANDING: SEE TABLE FOR SELECT TERMINALS AND APPLICABLE CCA WIRE SIZES.
- CONNECTOR FINISHES AND SUFFIX: SEE SECTION C OF THE BURNDY MASTER CATALOG FOR PLATING SERVICE TEMPERATURE RATINGS.
 - ELECTRO-TIN PLATED: CONNECTORS HAVING NO SUFFIX ARE TIN PLATED UNLESS OTHERWISE SPECIFIES. CATALOG NUMBER EXAMPLE: YA34A3.
 - NICKEL PLATED: APPLY SUFFIX "NK" TO A CATALOG NUMBER IN THE TABLE, IF NOT SPECIFIED. CATALOG NUMBER EXAMPLE: YA34A3NK.
 - SILVER PLATED: APPLY SUFFIX "SV" TO A CATALOG NUMBER IN THE TABLE, IF NOT SPECIFIED. CATALOG NUMBER EXAMPLE: YA34A3SV.
 - TIN ZINC : APPLY SUFFIX "TZ" TO A CATALOG NUMBER IN THE TABLE, IF NOT SPECIFIED. CATALOG NUMBER EXAMPLE: YA34A3TZ.
 - BARE CONNECTORS: APPLYING SUFFIX "BR" TO A CATALOG NUMBER IN THE TABLE, IF NOT SPECIFIED. CATALOG NUMBER EXAMPLE: YA343BR.
- FEATURES:
 - BARREL TYPICAL ROLL MARKINGS (AS SPACE PERMITS): CRIMP ZONE IS INDICATED BY KNURL BANDS, BURNDY CORPORATE NAME OR LOGO, UL LOGO (IF APPLICABLE), CSA LOGO (IF APPLICABLE), WIRE SIZE, DIE COLOR CODE (IF SPACE PERMITS), DIE INDEX NUMBER.
 - BARREL DESIGN: BARREL END AT THE WIRE HAS AN INTERNAL CHAMFER, ALLOWING FOR A SMOOTH WIRE INSERTION.
 - TERMINALS ARE PRE-FILLED WITH PENETROX™ A13, WHICH IS AN OXIDE INHIBITOR.
 - EACH TERMINAL HAS A COLOR-CODED END CAP TO MATCH THE DIE COLOR CODE. THIS ALSO PREVENTS PARTICLES FROM ENTERING THE BARREL.
 - PAD/TONGUE/TANG/SPADE DESIGN: ONE-HOLE, TWO-HOLE, AND FOUR HOLE DESIGNS. CONTACT CUSTOMER SERVICE FOR ALTERNATE PAD CONFIGURATIONS.
 - FIELD BENDING STRAIGHT LUGS TO ACHIEVE AN ANGULAR CONNECTION WILL VOID ALL APPLICABLE STANDARDS LISTED IN NOTE 2.
 - CATALOG NUMBER SUFFIX DT OR DTS: INDICATES THAT THE TRANSITION IN THE TERMINAL BETWEEN THE PAD AND BARREL ARE SOLDER OR BRAZE SEALED TO BE OIL TIGHT INSIDE THE BARREL. THIS PREVENTS ANY LIQUIDS FROM EXITING OR ENTERING THE BARREL THROUGH THE PAD.
 - IF NOT LISTED IN THE TABLE, PLEASE CONTACT CUSTOMER SERVICE FOR 45°, 90°, AND OR OTHER ANGULAR LUGS FOR PRODUCT AVAILABILITY. CATALOG NUMBER SUFFIX 45 INDICATES THAT THE TERMINAL IS BENT AT A 45 DEGREE ANGLE. CATALOG NUMBER SUFFIX 90 INDICATES THAT THE TERMINAL IS BENT AT A 90 DEGREE ANGLE.
- INSTALLATION TOOLING AND DIES ARE CONSTANTLY BEING UPDATED. PLEASE SEE BURNDY MASTER CATALOG FOR THIS PRODUCT FAMILY, WHICH CAN BE FOUND ON THE BURNDY WEBSITE.
- SPECIAL REQUIREMENTS:
 - YA39A- CONNECTORS: 900 KCMIL CLASS B COMPACT WIRE REQUIRES THE USE OF THE 644 SERIES OR 444 SERIES DIE-LESS INSTALLATION TOOLS AND 2 CRIMPS.
 - YA42A- CONNECTORS: 600 KCMIL CU REQUIRES THE USE OF THE 644 SERIES OR 444 SERIES DIE-LESS INSTALLATION TOOLS.
 - YA44-A- CONNECTORS ACCOMMODATE 1100 KCMIL WIRE CLASS A AND CLASS B COMPACT, BUT IS NOT UL LISTED OR CSA CERTIFIED.
- DIMENSIONS IN BRACKETS [] ARE IN MILLIMETERS ROUNDED OFF TO THE NEAREST MILLIMETER, UNLESS OTHERWISE SPECIFIED AND ARE FOR REFERENCE ONLY.
- CATALOG NUMBER SCHEME: EX: YA34A3.
 - Y = COMPRESSION, A = TERMINAL, 34 = WIRE SIZE (500 KCMIL), A = ALUMINUM CONNECTOR, 3 = HOLE SIZE AND PATTERN.




- TYPICAL MARKINGS:**
- BURNDY COMPANY IDENTIFIER
 - UL LOGO, IF APPLICABLE
 - CSA LOGO, IF APPLICABLE
 - BURNDY CATALOG NUMBER
 - WIRE ACCOMMODATES
 - COLOR CODE IDENTIFIER
 - DIE INDEX NUMBER
 - CRIMP ZONE BANDS (KNURL MARKS)



TO ORDER BURNDY® PRODUCTS CALL UNITED STATES 1-800-346-4175 (LONDONDERRY, NH) CANADA: 1-800-387-6487 FOR PRODUCT INFO: http://www.burndy.com	HYLUG™	
	ITEM NO: SEE TABLE	
	CAT. NO: SEE TABLE	
	DRAWN BY: E.S.K	7/19/1972
	CHECKER: S.F.P	8/1/1972
DSN APRVL: R.B.	8/2/1972	
MFG APRVL:		
QA APRVL: D.VARIO	6/19/1995	
MKT APRVL:		
PROD FAM: CM&R COMPRESSION	DRAWING NO	REV
PROJECT #: --	SIZE	
DOCUMENT TYPE: SALES		
REL LEVEL: Released	D	
	SD..073935-01	BG
	SHEET 6 OF 10	

CATALOG NUMBER DESIGNATION	WIRE SIZE ACCOMMODATES	Wire Strip Length	COLOR CODE INDEX#	Mechanical & Ratchet Dies Required (# Crimps)		Mechanical & Ratchet Dedicated Die Tools # Crimps	
	Class B, C (AU/CU)			MD6 and MD7 Series	OUR840	MY28 and MY29 Series	MRC840AL
YA8CA-	#8 AWG	5/8	BLUE 374	X8CART (2) W374 (1)	X8CART (2)	1 CRIMP	1 CRIMP
YA6CA-	#6 AWG	3/4	Gray 346	X6CART (2)	X6CART (2)	1 CRIMP	1 CRIMP
			No Color 161	W161 (1)	X161 (2)	--	--
YA4CA-	#4 AWG	1	Green 375	X4CART (3)	X4CART (3)	1 CRIMP	2 CRIMP
			No Color 162	W162 (3)	--	--	--
YA2CA-	#2 AWG	1-1/4	Pink 348	X2CART (4)	X2CART (4)	2 CRIMP	2 CRIMP
			No Color 163	W163 (3)	--	--	--
			No Color 239	W239 (2)	X239 (4)	--	--
YA1CA-	#1 AWG	1-1/16	Gold 471	X1CART (3)	X1CART (3)	2 CRIMP	2 CRIMP
			No Color 163	W163 (3)	--	--	--
YA25A-	1/0 AWG	1-3/16	Tan 296	X25ART (4)	X25ART (4)	2 CRIMP	2 CRIMP
			No Color 241	W241 (2)	X241 (4)	--	--
YA26A-	2/0 AWG	1-3/8	Olive 297	X26ART (4) WBG (2)	X26ART (4) XBG (4)	2 CRIMP	3 CRIMP
			No Color 245	W245 (3)	X245 (4)	--	--
YA27A-	3/0 AWG	1-1/2	Ruby 467	X27ART (4)	X27ART (4)	2 CRIMP	3 CRIMP
			No color 166	W166 (4)	--	--	--
YA28A-	4/0 AWG	1-5/8	White 298	X28ART (6)	X28ART (6)	2 CRIMP	3 CRIMP
			No color 660	W660 (3)	X660 (8)	--	--
YA29A-	250 kcmil	1-5/8	Red 324	--	--	--	--
YA30A-	300 kcmil	1-3/4	BLUE 470	--	--	--	--
YA31A-	350 kcmil	2-1/8	BROWN 299	W31ART (4)	--	--	--
YA32A-	400 kcmil	2-1/2	Green 472	--	--	--	--
YA34A-	500 kcmil	2-5/8	PINK 300	--	--	--	--
YA36A-	600 kcmil	2-7/8	Black 473	--	--	--	--
YA39A-	700 - 750 kcmil	2-7/8	Yellow 936	--	--	--	--
YA40A-	800 kcmil	3	Gray 474	--	--	--	--
YA42A-	900 AL kcmil	2-7/8	Gray 303	--	--	--	--
YA44A-	1000 kcmil	3-1/8	Gray 474	--	--	--	--
YA45A-	1250 kcmil	3-1/8	BROWN 302	--	--	--	--
YA46A-	1500 kcmil	3-3/4	Blue 478	--	--	--	--
YA47A-	1750 kcmil	4-3/8	White 587	--	--	--	--
YA48A-	2000 kcmil	4-1/8	Red 479	--	--	--	--


<p>TO ORDER BURNDY® PRODUCTS CALL</p> <p>UNITED STATES 1-800-346-4175 (LONDONDERRY, NH)</p> <p>CANADA: 1-800-387-6487</p> <p>FOR PRODUCT INFO: http://www.burndy.com</p>	HYLUG™			
	ITEM NO: SEE TABLE			
	CAT. NO: SEE TABLE			
	DRAWN BY: E.S.K	7/19/1972		
	CHECKER: S.F.P	8/1/1972		
	DSN APRVL: R.B.	8/2/1972		
	MFG APRVL:			
	QA APRVL: D.VARIO	6/19/1995		
	MKT APRVL:			
	PROD FAM: CM&R COMPRESSION		DRAWING NO	REV
PROJECT #: --	SIZE	SD..073935-01	BG	
DOCUMENT TYPE: SALES	D			
REL LEVEL: Released		SHEET 7 OF 10		

CATALOG NUMBER DESIGNATION	WIRE SIZE ACCOMMODATES	Wire Strip Length	COLOR CODE INDEX#	Hydraulic Tools - Dies Required (# Crimps)				
	Class B, C (AL/CU)			MD6, 600, 500 Series	750, 35 Series	45 Series Use PT6515 with U Dies	46 Series Use PUADP1 with U Dies	60 Series
YA8CA-	#8 AWG	5/8	BLUE 374	X8CART (2) W374 (1)	U8CABT (1)	U8CABT (1)	U8CABT (1)	--
YA6CA-	#6 AWG	3/4	Gray 346	X6CART (2)	U6CABT (1)	U6CABT (1)	U6CABT (1)	--
			No Color 161	W161 (1) X161 (2)	--	--	--	--
YA4CA-	#4 AWG	1	Green 375	X4CART (3)	U4CABT (1)	U4CABT (1)	U4CABT (1)	--
			No Color 162	W162 (3)	--	--	--	--
YA2CA-	#2 AWG	1-1/4	Pink 348	X2CART (4)	U2CABT (1)	U2CABT (1)	U2CABT (1)	--
			No Color 163	W163 (3)	--	--	--	--
			No Color 239	W239 (2)	--	--	--	--
YA1CA-	#1 AWG	1-1/16	Gold 471	X1 CART (3)	U1CART (1)	U1CART (1)	U1CART (1)	--
			No Color 163	W163 (3)	--	--	--	--
YA25A-	1/0 AWG	1-3/16	Tan 296	X25ART (4)	U25ART (1)	U25ART (1)	U25ART (1)	--
			No Color 241	W241 (2)	--	--	--	--
YA26A-	2/0 AWG	1-3/8	Olive 297	X26ART (4) WBG (2)	U26ART (2)	U26ART (2)	U26ART (2)	--
			No Color 245	W245 (3)	--	--	--	--
YA27A-	3/0 AWG	1-1/2	Ruby 467	X27ART (4)	U27ART (2)	U27ART (2)	U27ART (2)	--
			No color 166	W166 (4)	--	--	--	--
YA28A-	4/0 AWG	1-5/8	White 298	X28ART (6)	U28ART (2)	U28ART (2)	U28ART (2)	L28ART (1)
			No color 660	W660 (3)	--	--	--	--
YA29A-	250 kcmil	1-5/8	Red 324	--	U29ART (2)	U29ART (2)	U29ART (2)	L29ART (1)
YA30A-	300 kcmil	1-3/4	BLUE 470	--	U30ART (2)	U30ART (2)	U30ART (2)	L30ART (1)
YA31A-	350 kcmil	2-1/8	BROWN 299	W31ART (4)	U31ART (2)	U31ART (2)	U31ART (2)	L31ART (1)
YA32A-	400 kcmil	2-1/2	Green 472	--	U32ART (4)	U32ART (4)	U32ART (4)	L32ART (2)
YA34A-	500 kcmil	2-5/8	PINK 300	--	U34ART (4)	U34ART (4)	U34ART (4)	L34ART (2)
YA36A-	600 kcmil	2-7/8	Black 473	--	U36ART (4)	U36ART (4)	U36ART (4)	L36ART (2)
YA39A-	700 - 750 kcmil	2-7/8	Yellow 936	--	U39ART2 (4)	U39ART2 (4)	U39ART2 (4)	L39ART2 (2)
YA40A-	800 kcmil	3	Gray 474	--	--	S40ART (4)	P40ART (4)	L40ART (2)
YA42A-	900 AL kcmil	2-7/8	Gray 303	--	--	U42ART (4)	U42ART (4)	--
YA44A-	1000 kcmil	3-1/8	Gray 474	--	--	S44ART (4)	P44ART (4)	L44ART (2)
YA45A-	1250 kcmil	3-1/8	BROWN 302	--	--	S44ART (4)	P44ART (4)	L44ART (2)
YA46A-	1500 kcmil	3-3/4	Blue 478	--	--	--	--	L46ART (2)
YA47A-	1750 kcmil	4-3/8	White 587	--	--	--	--	L47ART (2)
YA48A-	2000 kcmil	4-1/8	Red 479	--	--	--	--	L48ART (2)

TO ORDER BURNDY® PRODUCTS CALL		HYLUG™	
UNITED STATES 1-800-346-4175 (LONDONDERRY, NH)		ITEM NO: SEE TABLE	
CANADA: 1-800-387-6487		CAT. NO: SEE TABLE	
FOR PRODUCT INFO: http://www.burndy.com		DRAWN BY: E.S.K 7/19/1972	
		CHECKER: S.F.P 8/1/1972	
		DSN APRVL: R.B. 8/2/1972	
		MFG APRVL:	
		QA APRVL: D.VARIO 6/19/1995	
		MKT APRVL:	
		PROD FAM: CM&R COMPRESSION	
		DRAWING NO	
		PROJECT #: -- SIZE	
		DOCUMENT TYPE: SALES	
		REL LEVEL: Released	
		D	
		SD..073935-01	
		SHEET 8 OF 10	
		BG	

REV	DATE	DESCRIPTION	ECO	BY	CHK.
BG	09/13/2022	UPDATED DRAWING AS PER FPN2208041	220912023912	RA	YR

CATALOG NUMBER DESIGNATION	WIRE SIZE ACCOMMODATES		Wire Strip Length	COLOR CODE INDEX#	Hydraulic Tools - Dieless # CRIMPSs			
	Class B, C (AL/CU)	Copper Clad Aluminum (CCA) Only for use with 644 / 444S Series			81K, 4PC Series	644 Series	444S Series	Y644MBH Remote Head
YA8CA-	#8 AWG	--	5/8	BLUE 374	1 CRIMP	--	--	--
YA6CA-	#6 AWG	--	3/4	Gray 346	1 CRIMP	1 CRIMP	--	1 CRIMP
				No Color 161	--	--	--	--
YA4CA-	#4 AWG	--	1	Green 375	1 CRIMP	1 CRIMP	1 CRIMP	1 CRIMP
				No Color 162	--	--	--	--
YA2CA-	#2 AWG	--	1-1/4	Pink 348	2 CRIMPS	1 CRIMP	1 CRIMP	1 CRIMP
				No Color 163	--	--	--	--
				No Color 239	--	--	--	--
YA1CA-	#1 AWG	--	1-1/16	Gold 471	2 CRIMPS	1 CRIMP	1 CRIMP	1 CRIMP
				No Color 163	--	--	--	--
YA25A-	1/0 AWG	--	1-3/16	Tan 296	2 CRIMPS	1 CRIMP	1 CRIMP	1 CRIMP
				No Color 241	--	--	--	--
YA26A-	2/0 AWG	--	1-3/8	Olive 297	2 CRIMPS	1 CRIMP	1 CRIMP	1 CRIMP
				No Color 245	--	--	--	--
YA27A-	3/0 AWG	--	1-1/2	Ruby 467	2 CRIMPS	1 CRIMP	1 CRIMP	1 CRIMP
				No color 166	--	--	--	--
YA28A-	4/0 AWG	--	1-5/8	White 298	2 CRIMPS	1 CRIMP	1 CRIMP	1 CRIMP
				No color 660	--	--	--	--
YA29A-	250 kcmil	--	1-5/8	Red 324	2 CRIMPS	1 CRIMP	1 CRIMP	1 CRIMP
YA30A-	300 kcmil	4/0 AWG CCA DLO (329/22)	1-3/4	BLUE 470	2 CRIMPS	1 CRIMP	1 CRIMP	1 CRIMP
YA31A-	350 kcmil	250 kcmil CCA DLO (399/22)	2-1/8	BROWN 299	3 CRIMPS	1 CRIMP	1 CRIMP	1 CRIMP
YA32A-	400 kcmil	--	2-1/2	Green 472	4 CRIMPS	1 CRIMP	1 CRIMP	1 CRIMP
YA34A-	500 kcmil	350 kcmil CCA DLO (779/22)	2-5/8	PINK 300	4 CRIMPS	1 CRIMP	1 CRIMP	1 CRIMP
YA36A-	600 kcmil	500 kcmil CCA DLO (779/22)	2-7/8	Black 473	4 CRIMPS	1 CRIMP	1 CRIMP	1 CRIMP
YA39A-	700 - 750 kcmil	600 kcmil CCA DLO (925/22)	2-7/8	Yellow 936	4 CRIMPS	1 CRIMP	1 CRIMP	1 CRIMP
YA40A-	800 kcmil	--	3	Gray 474	--	1 CRIMP	1 CRIMP	1 CRIMP
YA42A-	900 AL kcmil	--	2-7/8	Gray 303	--	2 CRIMPS	2 CRIMPS	2 CRIMPS
YA44A-	1000 kcmil	750 kcmil CCA DLO (1184/22) 800 kcmil CCA DLO (1258/22)	3-1/8	Gray 474	--	--	1 CRIMP	1 CRIMP
YA45A-	1250 kcmil	900 kcmil CCA DLO (1406/22) 1000 kcmil CCA DLO (1554/22)	3-1/8	BROWN 302	--	--	--	--
YA46A-	1500 kcmil	--	3-3/4	Blue 478	--	--	--	--
YA47A-	1750 kcmil	--	4-3/8	White 587	--	--	--	--
YA48A-	2000 kcmil	--	4-1/8	Red 479	--	--	--	--

<p>TO ORDER BURNDY® PRODUCTS CALL</p> <p>UNITED STATES 1-800-346-4175 (LONDONDERRY, NH)</p> <p>CANADA: 1-800-387-6487</p> <p>FOR PRODUCT INFO: http://www.burndy.com</p>	HYLUG™			
	ITEM NO: SEE TABLE			
	CAT. NO: SEE TABLE			
	DRAWN BY: E.S.K	7/19/1972		
	CHECKER: S.F.P	8/1/1972		
	DSN APRVL: R.B.	8/2/1972		
	MFG APRVL:			
	QA APRVL: D.VARIO	6/19/1995		
	MKT APRVL:			
	PROD FAM: CM&R COMPRESSION		DRAWING NO	REV
PROJECT #: --	SIZE	SD..073935-01	BG	
DOCUMENT TYPE: SALES	D			
REL LEVEL: Released		SHEET 9 OF 10		

Installation Instructions

Installation instructions help the installer understand proper wire preparation, proper insertion requirements, crimp zone location, individual crimp location, crimp order and crimp direction, to ensure safe and reliable wire connections. In order to obtain a UL Listing BURNDY certifies its products using the BURNDY Engineered System and select other crimp tool manufacturers in accordance with one or more UL categories.

Aluminum Installation Steps:

1. Select the appropriate connector based on:
 - Wire Material
 - Wire Construction
 - Wire Size
2. Strip the insulation to the appropriate wire strip length, based on the table's Wire Strip Length recommendation for the selected connector. Due to tolerances in the connector, wire strip length, and insulation stripping tools, this range may be 0" - 1/4". The exposed wire, also known as a "shiner", has no performance impact on the connection and there is no wire exposure requirement by BURNDY.
3. Wire brush the bare conductor to remove any oxides. DO NOT wire brush tin-plated connectors.
4. Apply PENETROX™ A13 oxide inhibitor to the bare conductor.
5. Insert the conductor into the barrel for the full length. The connector barrel is filled with PENETROX™ A13, so be aware of the following:
 - Oxide inhibitor may discharge from the barrel when wire is fully inserted.
 - Oxide inhibitor may cause resistance that could feel like the wire is fully inserted. Ensure you insert the wire with enough force to penetrate the oxide inhibitor barrier until you reach the full wire insertion distance.
6. Apply the proper number of crimps based on the installation tooling requirements. Use the illustrations as a guide on crimp placement and direction for the proper number of crimps.
7. Remove excess PENETROX™ A13 that may discharge during installation.

* "For simplicity, the images show a 1-hole connector, however, connectors are available 1-hole, 2-hole or more hole patterns."

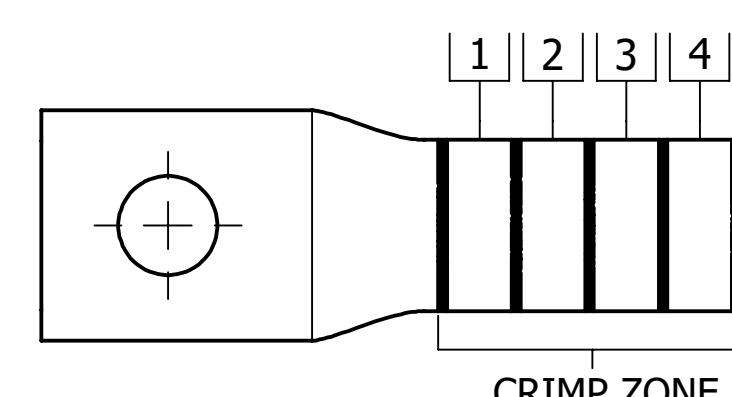
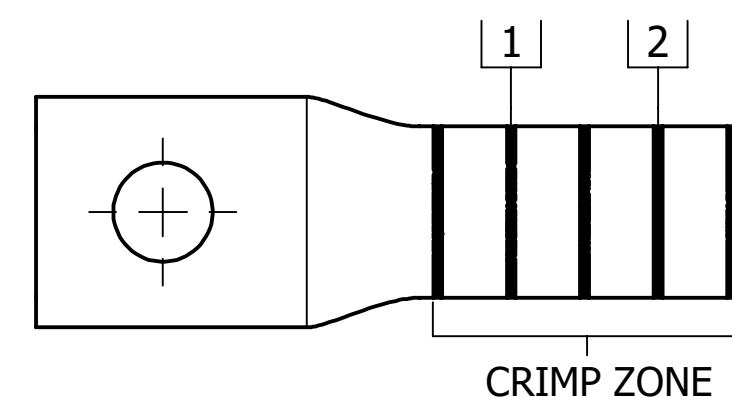
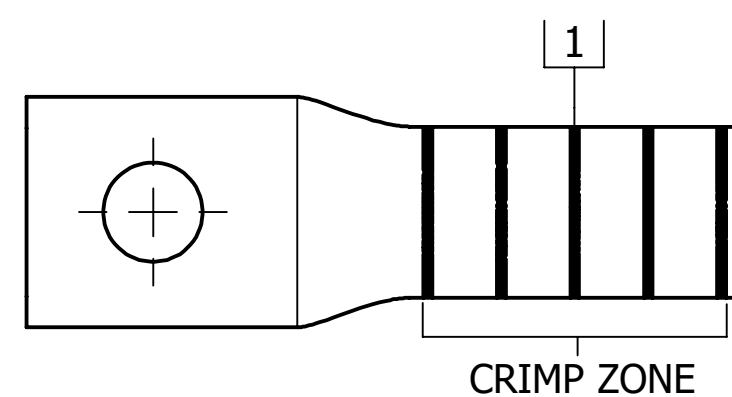
CATALOG NUMBER DESIGNATION					
YA8CA-	YA6CA-	YA4CA-	YA2CA-	YA1CA-	YA25A-



CATALOG NUMBER DESIGNATION					
YA26A-	YA27A-	YA28A-	YA29A-	YA30A-	YA31A
YA39AM-	YA40A-	YA44A-	YA45A-	YA46A-	YA48A-



CATALOG NUMBER DESIGNATION				
YA32A-	YA34A-	YA36A-	YA39A-	YA42A-



TO ORDER BURNDY® PRODUCTS CALL UNITED STATES 1-800-346-4175 (LONDONDERRY, NH) CANADA: 1-800-387-6487 FOR PRODUCT INFO: http://www.burndy.com	HYLUG™		
	ITEM NO: SEE TABLE		
	CAT. NO: SEE TABLE		
	DRAWN BY: E.S.K	7/19/1972	
	CHECKER: S.F.P	8/1/1972	
	DSN APRVL: R.B.	8/2/1972	
MFG APRVL:			
QA APRVL: D.VARIO	6/19/1995		
MKT APRVL:			
PROD FAM: CM&R COMPRESSION	DRAWING NO	REV	
PROJECT #: --	SIZE	SD..073935-01	
DOCUMENT TYPE: SALES	D	BG	
REL LEVEL: Released		SHEET 10 OF 10	