

16 Ports Gigabit PoE Switch

802.3af/at, 6KV Lightning Protection

Datasheet: VER2.0

UTP3-GSW1604TS-P200



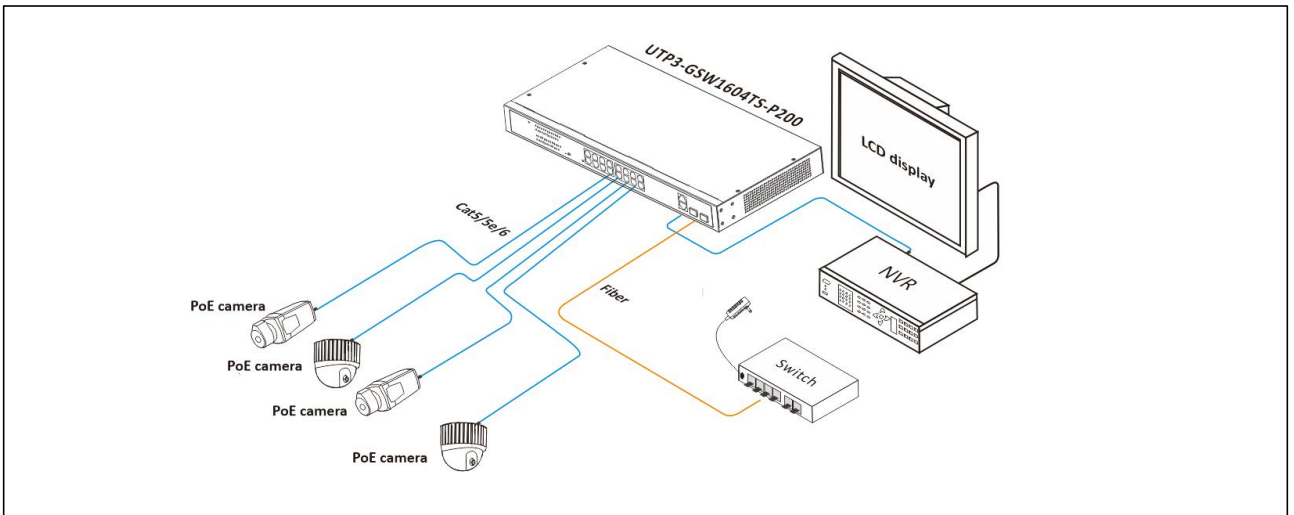
- Provide 16* 10/ 100/ 1000Mbps downlink PoE Ethernet ports, 2* gigabit uplink Ethernet ports and 2* gigabit Fiber port,
- Downlink Ethernet ports support PoE+, each port supports max. 30W output,
- Accord with IEEE802.3, IEEE802.3u, IEEE802.3ab, IEEE802.3 af/ at standard,
- 8K MAC address, 4Mb cache,
- Quick installation, easy operation, convenient for wall-mounted, desktop and rack installations.



Introduction

The 16 ports Gigabit PoE switch is an PoE switch along with 16* 10/ 100/ 1000Base-T downlink PoE ports and 2 *1000Base-T uplink Ethernet ports featuring 30-watt 802.3 at PoE+ as well as 2 additional Gigabit port. The total PoE power budget is up to 170 watts. The device can be widely used in video security monitoring systems, network projects, etc.

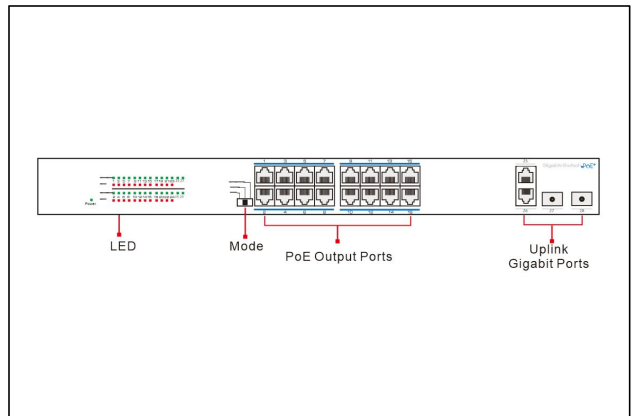
Application



Physical Features



Interface drawing



Specification

Model	UTP3-GSW1604TS-P200
Downstream Ports	16*10/100/1000Base-T(16 Ports PoE)
Uplink Ports	2*10/100/1000Base-T and 2*1000Base-X(SFP)
Network Standard	IEEE802.3 , IEEE802.3u, IEEE802.3ab, IEEE802.3z, IEEE802.3X
Switch Capacity	40Gbps
Throughput	28Mpps
Switch Processing Scheme	Store and Forward
Memory Buffer	4M
MAC Table	8K
PoE Standard	802.3af/at(PSE)
PoE Type	End-span
Power Pin Assignment	1/2(+), 3/6(-)
PoE Power Output	54V DC , 30 watts max
PoE Budget	170 watts max
Operating mode	Default: All ports can communicate with each other
	VLAN: 1. Downlink ports only communicate with uplink ports, 2. Restrain network storm under 2Mbps
	Flow control: Switch flow control function is turned off, this mode is suitable for video surveillance transmission
Lightning protection	6KV Execute:IEC61000-4-5
ESD	6KV Contact discharge 8KV Air discharge Execute:IEC61000-4-2
Power Supply	100~240V AC, 50/60Hz
Power Dissipation	<200W(Including PoE)
Work temperature	-10°C~50°C
Storage temperature	-40°C~85°C
Humidity(Non-condensin)	5%-95%
Dimension (L×W×H)	442mm×285mm×44.5mm
Weight	3kg
Regulator	CE, FCC, ROHS

Package List

Designation	Quantity
PoE Switch	1
AC Power Line	1
Hanger	2
User Manual	1

Related Products

Designation	Model
8 Ports Gigabit PoE Switch	UTP3-GSW0802-TSP120
5 Ports Gigabit PoE Switch	UTP1-GSW0401-TP60