



# RANGER® 1000

Bench Scale



## ***Affordable Compact Bench Scales for Basic Industrial Weighing Applications***

Ranger 1000 offers OHAUS' signature durability and precision in a simple, cost-effective compact bench scale ideal for light to medium industrial weighing applications. When simple and reliable weighing operation is what your job requires, you can depend on the Ranger 1000.

### ***Standard Features Include:***

- High-performance scale with 15,000 display resolution for dependable results.
- Durable bench scale is designed for heavy-duty use with ABS plastic housing and stainless steel platform.
- Flexible power option allows the scale to run on an AC Adapter or internal rechargeable lead acid battery for portable operation.

# RANGER® I000 Bench Scale

Model	R11P3	R11P6	R11P15	R11P30
Capacity × Readability	3 kg × 0.0002 kg 3000 g × 0.2 g	6 kg × 0.0005 kg 6000 g × 0.5 g	15 kg × 0.001 kg 15000 g × 1 g	30 kg × 0.002 kg 30000 g × 2 g
Displayed Resolution	1:15000	1:15000	1:15000	1:15000
Construction	Plastic pan with stainless steel inset, ABS plastic housing			
Weighing Units	kg, g, lb, oz			
Application Modes	Weighing, Accumulation			
Display	1-window backlit LCD display, 1-inch / 25.4 mm high, 6-digit, 7-segment			
Keypad	4 mechanical keys			
Zero Range	4 % of full scale capacity			
Tare Range	Full capacity by subtraction			
Stabilization Time	≤ 2 seconds			
Safe Overload Capacity	150% of capacity			
Power	AC Adapter 12V DC / 1000mA Internal rechargeable sealed lead acid battery			
Battery Life	80 hours continuous use with 12 hour recharge time			
Calibration	External with kg/g mass, factory calibration recovery			
Operating Temperature Range	0° to 40° C			
Pan Size (W × L)	294 × 226 mm			
Scale Dimensions (W × L × H)	325 × 330.5 × 114 mm			
Shipping Dimensions (W × L × H)	440 × 360 × 160 mm			
Net Weight	4.2 kg			
Shipping Weight	5.3 kg			
Other Features	Auto-zero tracking, filtering level			

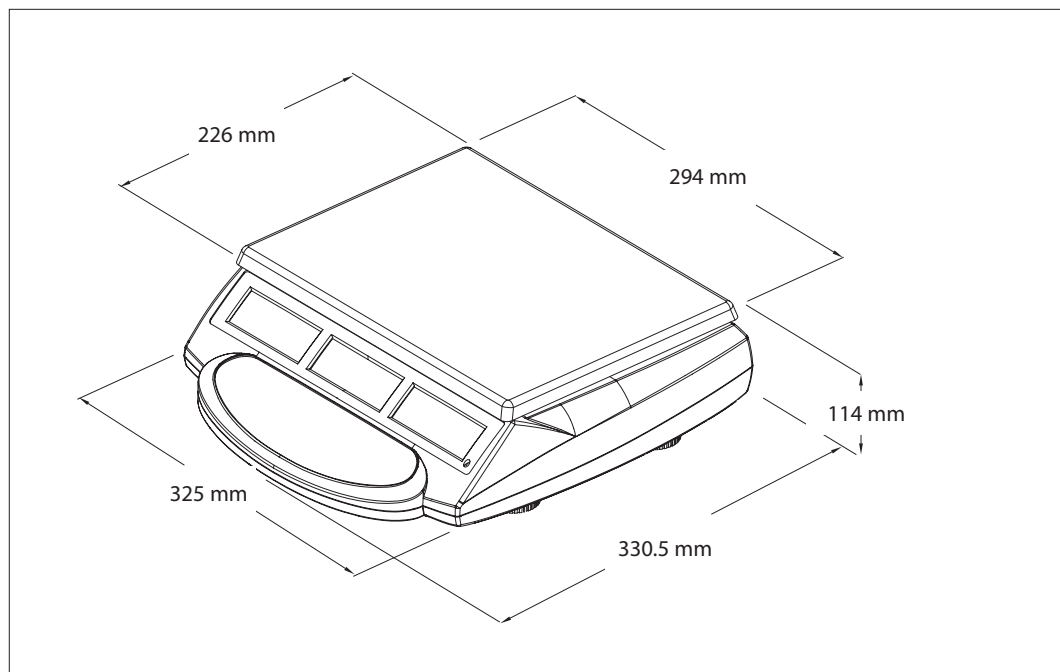
## Compliance

- **Product Safety:** IEC/EN 61010-1; UL Certified Power Supply
- **Electromagnetic Compatibility:** IEC/EN 61326-1 Class B, Basic Environments
- **Compliance Marks:** CE; WEEE

## Accessories

SST Pan, R11, RC11, A31 ..... 80120009

## Outline Dimensions



**OHAUS Asia/Pacific Headquarters**  
7F, Block 33, 680 Guiping Road  
Shanghai 200233  
China

e-mail: APmarketing@ohaus.com  
Tel: +86 21 64855408

[www.ohaus.com](http://www.ohaus.com)

The management system governing the manufacture of this product is ISO 9001:2015 certified.

SAP Literature # 30295301

