

# OT125F3



Products Low Voltage Products and Systems Switches Switch Disconnectors

## General Information

<b>Extended Product Type:</b>	OT125F3
<b>Product ID:</b>	1SCA105033R1001
<b>EAN:</b>	6417019391632
<b>Catalog Description:</b>	OT125F3 switch-disconnector
<b>Long Description:</b>	3-pole, front operated, base mounted, DIN-rail mountable switch-diconductor with protected clamp terminals, handle and shaft are not included

## Additional Information

<b>Ampere Rating UL/CSA:</b>	100 A
<b>Cable Cross-Section:</b>	10 ... 70 mm <sup>2</sup>
<b>Conventional Free-air Thermal Current (I<sub>th</sub>):</b>	q = 40 °C 125 A
<b>Conventional Thermal Current (I<sub>the</sub>):</b>	Fully Enclosed 125 A
<b>Country of Origin:</b>	Finland (FI)
<b>Customs Tariff Number:</b>	85365080
<b>Data Sheet, Technical Information:</b>	1SCC301020C0201
<b>Declaration of Conformity - CE:</b>	1SCC301168D2702
<b>Dielectric Test Voltage:</b>	6000 V
<b>E-number:</b>	3170943
<b>EAN:</b>	6417019391632
<b>ETIM 5:</b>	EC000216 - Switch disconnector
<b>ETIM 6:</b>	EC000216 - Switch disconnector
<b>Earthing Switch Type:</b>	No Additional Type
<b>Environmental Information:</b>	1SCC301183D0201
<b>Handle Type:</b>	Knob, Handle and shaft not included
<b>Horsepower Rating UL/CSA:</b>	(acc. to UL 200 V) 25 Hp (acc. to UL 480 V) 50 Hp (acc. to UL 240 V) 30 Hp (acc. to UL 208 V) 25 Hp (acc. to UL 600 V) 50 Hp
<b>IIT Publishing Status:</b>	Level 0 - Information enabled
<b>Includes:</b>	None
<b>Industrial IT Certification Level:</b>	0
<b>Instructions and Manuals:</b>	1SCC301058M0001
<b>Invoice Description:</b>	OT125F3 switch-disconnector
<b>Mechanical Endurance:</b>	10000 cycle
<b>Minimum Order Quantity:</b>	10 piece
<b>Mounting Type:</b>	Base mounting
<b>Number of Poles:</b>	3
<b>Object Classification Code:</b>	Q
<b>Switches Operating Mechanism:</b>	Mechanism on Top of the Switch
<b>Operating Mode:</b>	Front operated
<b>Order Multiple:</b>	10 piece
<b>Package Level 1 EAN:</b>	6417019391632
<b>Package Level 1 Gross Weight:</b>	0.4 kg
<b>Package Level 1 Height:</b>	86 mm

Package Level 1 Length:	112 mm
Package Level 1 Units:	1 piece
Package Level 1 Width:	81 mm
Pollution Degree:	3
Position of Line Terminals:	Top In - Bottom Out
Power Loss:	at Rated Operating Conditions per Pole 6.3 W at Rated Operating Conditions per Pole 0.36 W
Price Category:	Standard
Product Main Type:	OT125
Product Name:	Switch-disconnector
Product Net Depth:	74 mm
Product Net Height:	100 mm
Product Net Weight:	0.4 kg
Product Net Width:	70 mm
Rated Impulse Withstand Voltage ( $U_{imp}$ ):	8 kV
Rated Insulation Voltage ( $U_i$ ):	750 V
Rated Operational Current AC-21A ( $I_e$ ):	(380 ... 415 V) 125 A (500 V) 125 A (690 V) 125 A
Rated Operational Current AC-22A ( $I_e$ ):	(380 ... 415 V) 125 A (500 V) 125 A (690 V) 125 A
Rated Operational Current AC-23A ( $I_e$ ):	(380 ... 415 V) 90 A (500 V) 70 A (690 V) 50 A
Rated Operational Power AC-23A ( $P_e$ ):	(380 ... 415 V) 45 kW (500 V) 45 kW (690 V) 45 kW
Rated Operational Voltage:	750 V
Rated Short-Circuit Making Capacity ( $I_{cm}$ ):	(690 V AC) 3.6 kA
Rated Short-time Withstand Current ( $I_{cw}$ ):	for 1 s 2.5 kiloampere rms
RoHS Information:	1SCC301183D0201
Selling Unit of Measure:	piece
Short Description:	Front operated switch-disconnector
Special Functions:	No
Standards:	IEC 60947-3
Terminal Type:	Screw Terminals
Tightening Torque:	6 N·m
Distance Between Phases:	Standard

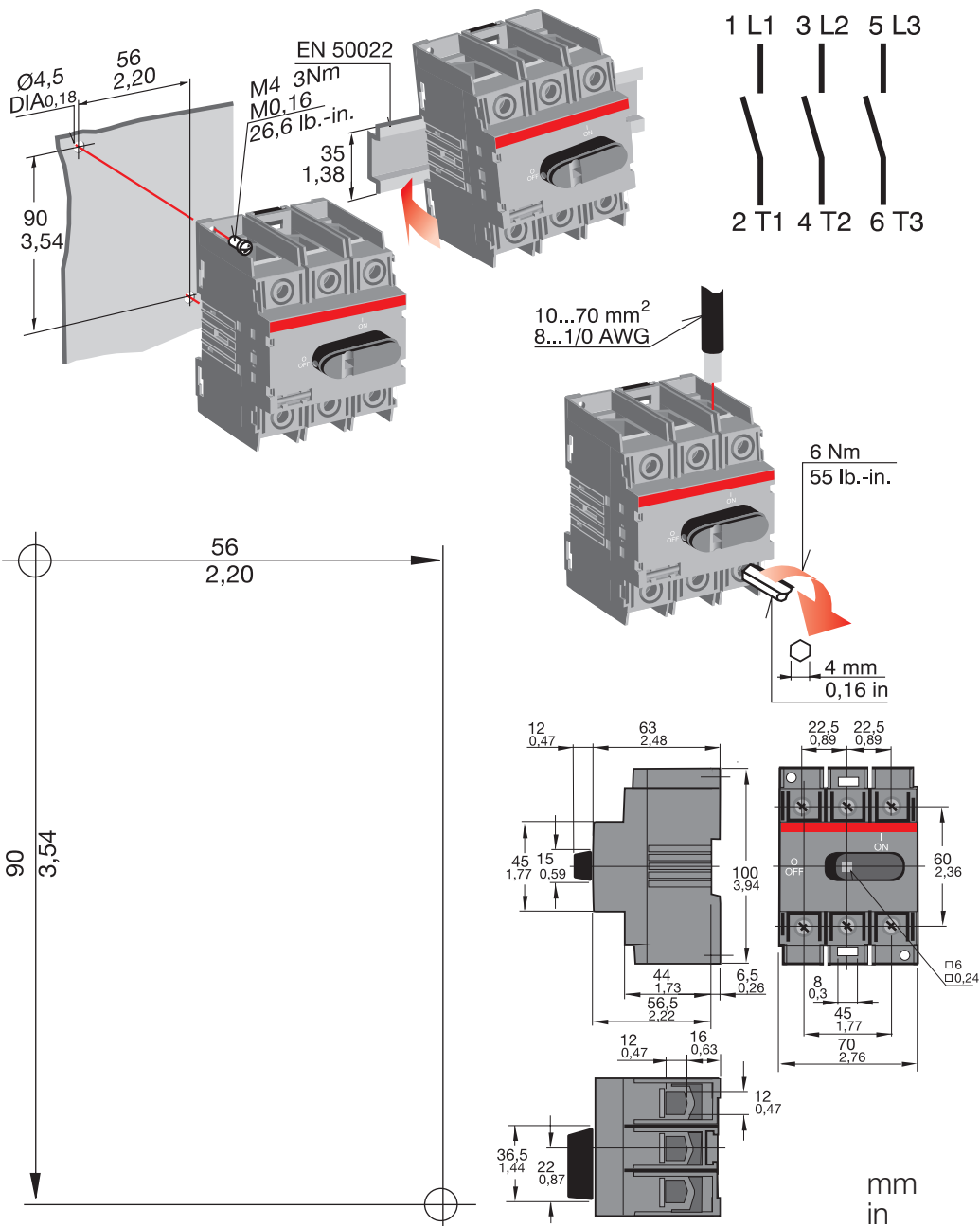




# OT100...125F3

1SCC301058M0001

34 OT125 F3 A



# OT100...125F4

1SCC301058M0001

34 OT125F3 A

