



MB23 and MB25

Moisture Analyzers



Speed, Simplicity and Affordability

The new OHAUS MB23 and MB25 Basic Moisture Analyzers combine high quality and durable construction into a sleek, compact design. The MB23 and MB25 offer dependable, accurate, results for a wide variety of applications.

Unique Features:

- **Flexible Performance**—The OHAUS MB23 and MB25 provide accurate results at either 0.1% or 0.05% readability. And with your choice of infrared or halogen heating, they are ideal for textiles, wastewater, ceramics, food and other applications that require IR heating elements and measurements to 0.1% or 0.05%.
- **Simple to Operate**—Set up and operation is extremely easy. Just press and hold the temperature or time buttons to set drying parameters, add your sample and begin the test process. This makes the MB23 and MB25 ideal for routine tasks performed by operators of all skill levels.
- **Compact, Easy-to-Clean Design**—The compact footprint (17 x 13 x 28 cm) of the OHAUS MB23 and MB25 is designed to take up less space. Their easy-to-clean heating chamber is ideal for frequent use and inexpensive maintenance.

MB23 and MB25 Moisture Analyzers

Model	MB23	MB25
Capacity	110g	
Repeatability (Std Dev) (g)	0.3% (3g sample) 0.2% (10g sample)	0.2% (3g sample) 0.05% (10g sample)
Readability	0.1% / 0.01g	0.01% / 0.005g (<10g sample) 0.05% / 0.005g (>10g sample)
Sample Size	3g to 20g typical, 0.5g min.	
Interface	Bidirectional RS-232	
Timer	1 - 99 minutes, 30-second increments to 60 minutes	
Heating Technology	Infrared (no glass)	Halogen
Temperature Range	50°C to 160°C in 5° increments	
Power	100 to 240 VAC, 50/60 Hz	
Tare Range	To capacity by subtraction	
Operating Temperature Range	5°C to 40°C	
Display Type	Custom backlit LCD	
Displays	% moisture or % solids or weight (g), temperature, time	
Pan Size (Diameter)	90 mm	
Dimensions (W x H x D)	17 x 13 x 28 cm	
Net Weight	2.3 kg	
Shipping Weight	3.9 kg	
Sample Pans (Quantity 50)	Standard	
In Use Cover	Standard	

Models are CE, CSA/UL and FCC approved

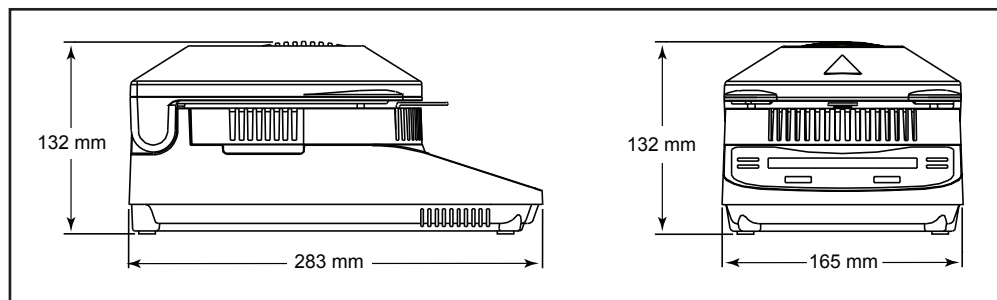
Compliance

- **Product Safety:** IEC/EN 61010-1, IEC/EN 61010-2-010
- **Electromagnetic Compatibility:** IEC/EN 61326-1 Class B, Basic environments

Accessories

Temp. Calibration Kit, MB Series	11113857
In-Use-Cover, MB23 MB25	80252475
Holder, Pan, MB Series	80252476
Pan, Reusable, Set(3), 7mm, MB Series	80252478
Pan, Reusable, Set(3), 14mm, MB Series	80252479
Pan, Aluminum, Set(50), MB Series	30585411
Filter, Glass Fiber, Set(200)	80850087
Cage, sample	80252477
Anti-Theft Device, MB AX EX Scout	80850043
Printer, Impact, SF40A (EU)	30064202
Interface Kit, RS232-USB	30304101

Outline Dimensions



OHAUS Europe GmbH
Heuwinkelstrasse 3,
8606 Nänikon,
Switzerland

e-mail: ssc@ohaus.com
Tel: 0041 22 567 53 19
e-mail: tsc@ohaus.com
Tel: 0041 22 567 53 20

www.ohaus.com

The management system governing the manufacture of this product is ISO 9001:2015 certified.

80774457_E 20221205 © Copyright OHAUS Corporation

