

Product data sheet

Specifications



circuit breaker EasyPact CVS100F,
36 kA at 415 VAC, 40 A rating
thermal magnetic TM-D trip unit, 3P
3d

LV510333

Main

| | |
|--|--|
| Range of product | EasyPact CVS100...250 |
| Product or component type | Circuit breaker |
| Device short name | CVS100F |
| Device application | Distribution |
| Poles description | 3P |
| Protected poles description | 3D |
| Earth leakage protection (Vigi add on) | Without |
| [In] rated current | 40 A at 40 °C |
| Breaking capacity code | F |
| Network type | AC |
| [Icu] Breaking capacity | 36 kA Icu at 440 V AC 50/60 Hz conforming to IEC 60947-2 36 kA Icu at 380/415 V AC 50/60 Hz conforming to IEC 60947-2 70 kA Icu at 220/240 V AC 50/60 Hz conforming to IEC 60947-2 |
| Utilisation category | Category A |
| Trip unit name | TM-D |
| Trip unit technology | Thermal-magnetic |
| Trip unit rating | 40 A at 40 °C |
| Protection type | Short-circuit protection (magnetic) Overload protection (thermal) |

Complementary

| | |
|--|-----------------------------------|
| Network frequency | 50/60 Hz |
| Control type | Toggle |
| Mounting mode | Fixed |
| Mounting support | Backplate |
| Upside connection | Front |
| Downside connection | Front |
| Connections - terminals | Screw connection |
| [Uimp] rated impulse withstand voltage | 8 kV conforming to EN/IEC 60947-2 |

| | |
|---|--|
| Thermal protection adjustment range | 28...40 A |
| [Ics] rated service breaking capacity | 18 kA at 440 V AC 50/60 Hz conforming to IEC 60947-2 36 kA at 380/415 V AC 50/60 Hz conforming to IEC 60947-2 70 kA at 220/240 V AC 50/60 Hz conforming to IEC 60947-2 |
| Mechanical durability | 30000 cycles |
| Electrical durability | 12000 cycles 415 V In conforming to IEC 60947-2 |
| Connection pitch | 35 mm |
| Contact position indicator | Yes |
| Long time pick-up adjustment type Ir | Adjustable |
| Long time pick-up adjustment range | 0.7...1 x In |
| Long time delay adjustment type | Fixed |
| Instantaneous pick-up adjustment type li | Fixed |
| Instantaneous pick-up adjustment range | 500 A |
| Height | 161 mm |
| Width | 105 mm |
| Depth | 86 mm |
| Net weight | 1.8 kg |

Environment

| | |
|--|-----------------------------|
| Electrical shock protection class | Class II |
| Standards | IEC 60947-2 EN 60947-2 |
| Product certifications | IEC GOST |
| IP degree of protection | IP40 |
| Pollution degree | 3 conforming to IEC 60664-1 |
| Ambient air temperature for operation | -25...70 °C |
| Ambient air temperature for storage | -50...85 °C |

Packing Units

| | |
|-------------------------------------|-----------|
| Unit Type of Package 1 | PCE |
| Number of Units in Package 1 | 1 |
| Package 1 Weight | 1.667 kg |
| Package 1 Height | 11.0 cm |
| Package 1 width | 14.0 cm |
| Package 1 Length | 19.0 cm |
| Unit Type of Package 2 | S03 |
| Number of Units in Package 2 | 6 |
| Package 2 Weight | 10.422 kg |
| Package 2 Height | 30 cm |
| Package 2 width | 30 cm |

| | |
|------------------|-------|
| Package 2 Length | 40 cm |
|------------------|-------|

Offer Sustainability

| | |
|--------------------------|-----------------------|
| Sustainable offer status | Green Premium product |
|--------------------------|-----------------------|

| | |
|------------------|-----------------------------------|
| REACH Regulation | REACH Declaration |
|------------------|-----------------------------------|

| | |
|-------------------|--|
| EU RoHS Directive | Compliant EU RoHS Declaration |
|-------------------|--|

| | |
|--------------|-----|
| Mercury free | Yes |
|--------------|-----|

| | |
|----------------------------|-----|
| RoHS exemption information | Yes |
|----------------------------|-----|

| | |
|-----------------------|---|
| China RoHS Regulation | China RoHS declaration Product out of China RoHS scope. Substance declaration for your information |
|-----------------------|---|

| | |
|--------------------------|---|
| Environmental Disclosure | Product Environmental Profile |
|--------------------------|---|

| | |
|---------------------|---|
| Circularity Profile | End of Life Information |
|---------------------|---|

| | |
|------|---|
| WEEE | The product must be disposed on European Union markets following specific waste collection and never end up in rubbish bins |
|------|---|

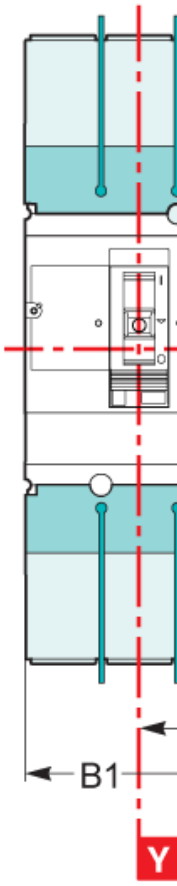
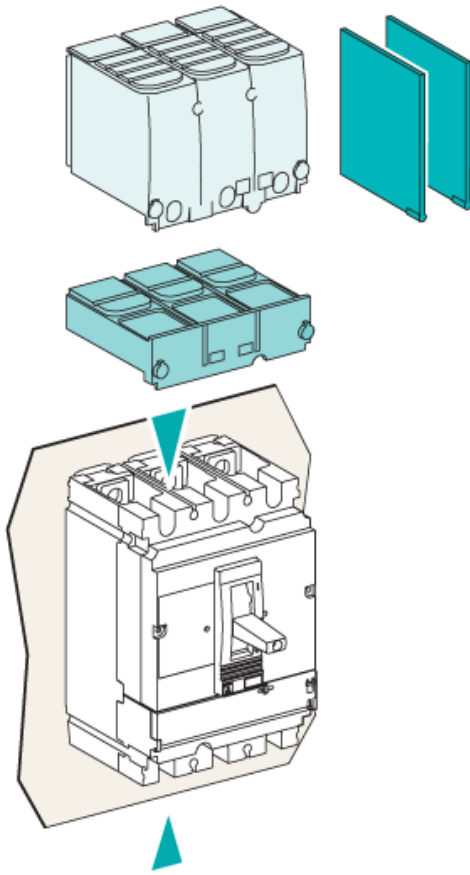
Contractual warranty

| | |
|----------|-----------|
| Warranty | 18 months |
|----------|-----------|

Product data sheet

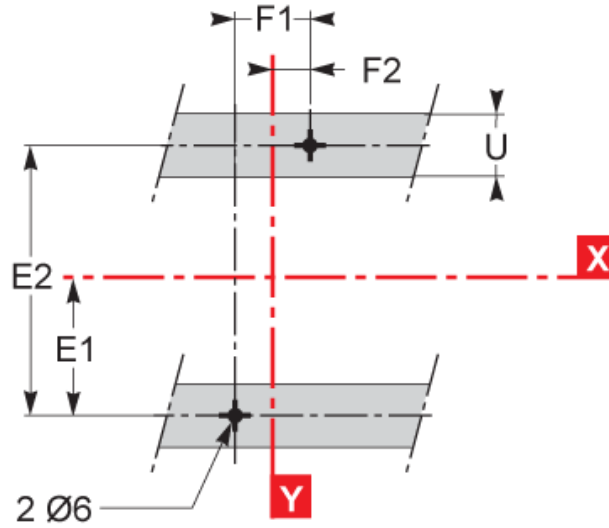
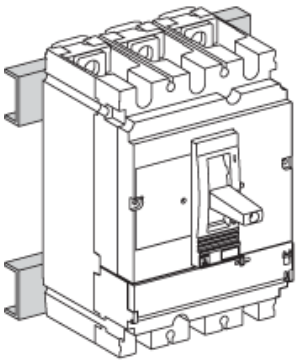
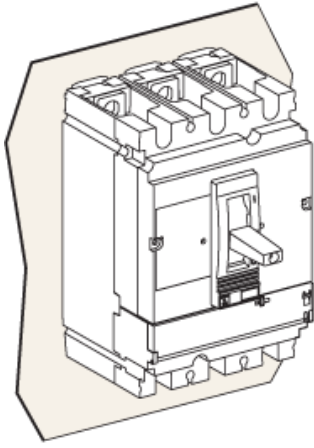
Dimensions Drawings

LV510333



| Type | A | A1 | A2 | A3 | A4 | A5 | A6 | A7 | A8 | A9 | B | B1 | B2 | C1 | C2 | C3 | E1 |
|----------------|-------|-------|-------|-------|-------|-------|-----|-------|------|-------|------|-----|------|------|------|--------------------|------|
| CVS100/160/250 | 80.5 | 161 | 94 | 145 | 178.5 | 155.5 | 236 | 169 | 220 | 253.5 | 52.5 | 105 | 140 | 81 | 86 | 111 ⁽²⁾ | 62.5 |
| CVS400/630 | 127.5 | 255 | 142.5 | 200 | 237 | 227.5 | 355 | 242.5 | 300 | 337 | 70 | 140 | 185 | 95.5 | 110 | 168 | 100 |
| Type | E2 | E3 | E4 | E5 | E6 | E7 | E8 | F1 | F2 | F3 | G1 | G2 | G3 | G4 | G5 | G7 | U |
| CVS100/160/250 | 125 | 70 | 140 | 137.5 | 200 | 145 | 215 | 35 | 17.5 | 70 | 96 | 75 | 13.5 | 23 | 17.5 | 24 | y 32 |
| CVS400/630 | 200 | 113.5 | 227 | 200 | 300 | 213.5 | 327 | 45 | 22.5 | 90 | - | - | - | - | - | 32 | y 35 |

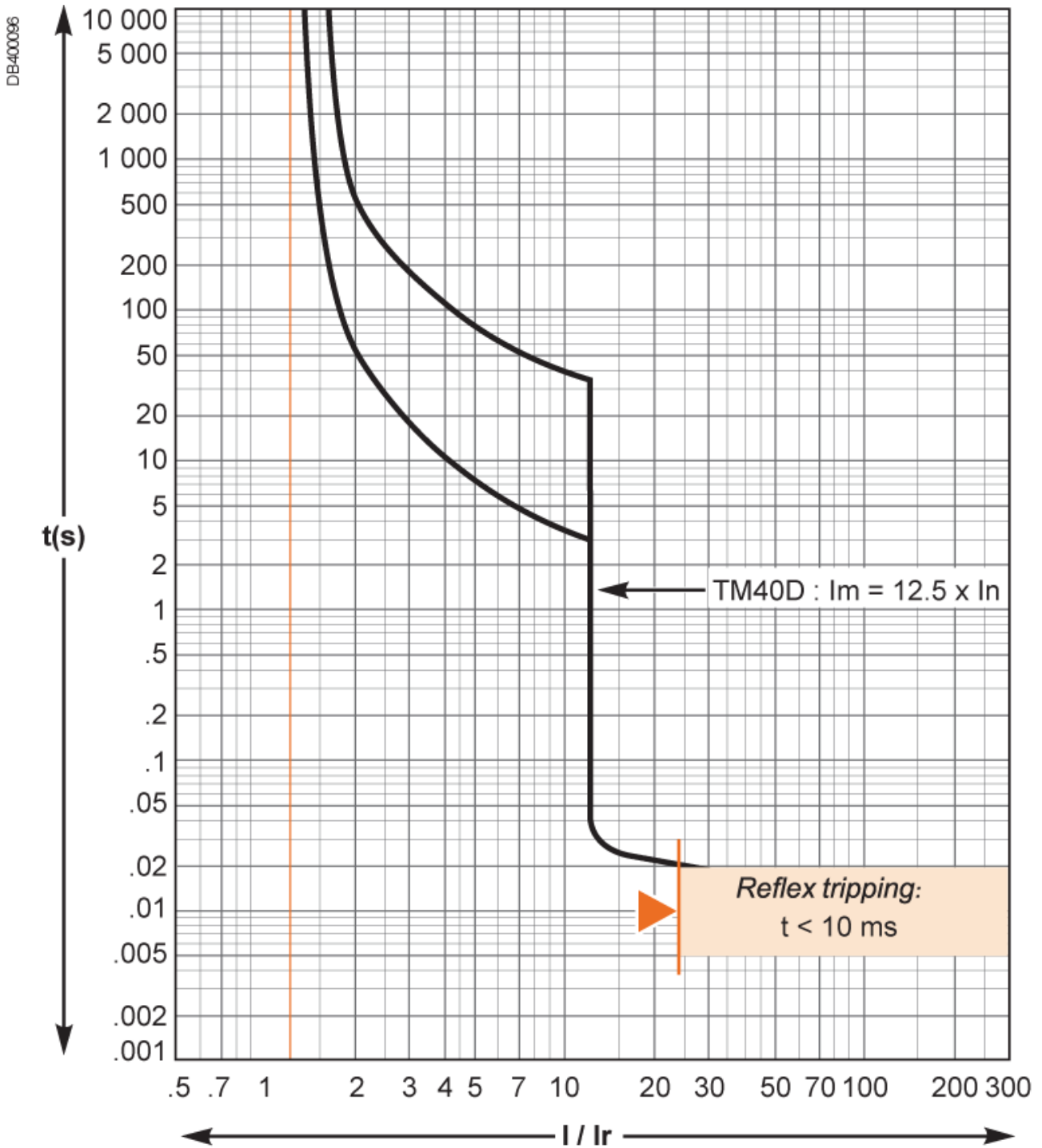
(2) C3=126mm for EasyPact CVS250B.F.



| Type | A | A1 | A2 | A3 | A4 | A5 | A6 | A7 | A8 | A9 | B | B1 | B2 | C1 | C2 | C3 | E1 |
|----------------|-------|-------|-------|-------|-------|-------|-----|-------|------|-------|------|-----|------|------|------|--------------------|------|
| CVS100/160/250 | 80.5 | 161 | 94 | 145 | 178.5 | 155.5 | 236 | 169 | 220 | 253.5 | 52.5 | 105 | 140 | 81 | 86 | 111 ⁽²⁾ | 62.5 |
| CVS400/630 | 127.5 | 255 | 142.5 | 200 | 237 | 227.5 | 355 | 242.5 | 300 | 337 | 70 | 140 | 185 | 95.5 | 110 | 168 | 100 |
| Type | E2 | E3 | E4 | E5 | E6 | E7 | E8 | F1 | F2 | F3 | G1 | G2 | G3 | G4 | G5 | ØT | U |
| CVS100/160/250 | 125 | 70 | 140 | 137.5 | 200 | 145 | 215 | 35 | 17.5 | 70 | 66 | 75 | 13.5 | 23 | 17.5 | 24 | y 32 |
| CVS400/630 | 200 | 113.5 | 227 | 200 | 300 | 213.5 | 327 | 45 | 22.5 | 90 | - | - | - | - | 32 | y 35 | |

(2) C3=126mm for EasyPact CVS250B.F.

Performance Curves



Reflex tripping.