

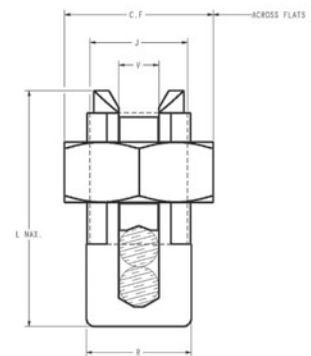
**TYPES KS & KS-3**

SERVIT®



Copper, Copperweld

Compact, high strength, high copper alloy SERVIT® split-bolt has free-running threads and easy to grip wrench flats. Highly resistant to season cracking and corrosion, the SERVIT® provides maximum pressure and assures a secure connection on all combinations of run and tap conductors. Type KS-3 accommodates 3 maximum size conductors.



Catalog Number	Cross Flats	L	W	Conductor						▲ Recommended Tightening Torque (in-lb)
				Copper		Copperweld				
				Equal Run & Tap	Min Tap with Max Run	Maximum Run and Tap				
						Sol.	Str.	Type A	Type D	
† KS90	0.50	0.85	0.38	12 - 10 Str.	16 Str.	#10	—	—	—	80
† KS15	0.50	0.85	0.38	10 - 8 Str.	14 Str.	#8	—	—	—	80
† KS17	0.63	1.14	0.45	8 Str. - 6 Sol.	14 Str.	#6	3 #12	8A	9-1/2D	165
* KS173	0.62	0.98	0.70	8 Str. - 6 Sol.	16 Str.	#6	3 #12	8A	9-1/2D	165
† KS20	0.69	1.20	0.51	8 Str. - 4 Sol.	14 Str.	#4	3 #10	6A	8D	165
* KS203	0.68	1.17	0.78	8 Str. - 4 Sol.	14 Str.	#4	3 #10	6A	8D	165
† KS22	0.75	1.50	0.60	6 Str. - 2 Sol.	14 Str.	#2	3 #8	4A	6D	275
* KS223	0.74	1.33	0.84	6 Str. - 2 Sol.	14 Str.	#2	3 #8	4A	6D	275
† KS23	0.82	1.54	0.62	6 Str. - 2 Str.	14 Str.	#1	3 #7	3A	5D	275
† KS25	0.94	1.77	0.73	4 Str. - 1/0 Str.	14 Str.	2/0	3 #5	2A	4D	385
† KS26	1.05	1.94	0.82	2 Str. - 2/0 Str.	14 Str.	3/0	7 #7	—	—	385
† KS27	1.36	1.86	1.17	1 Str. - 3/0 Str.	8 Sol.	—	—	—	—	500
† KS29	1.36	2.07	1.17	1 Str. - 250	8 Str.	4/0	7 #5	—	—	650
† KS31	1.70	2.51	1.41	1/0 Str. - 350	1/0 Str.	—	19 #8	—	—	650
† KS34	1.82	2.79	1.48	2/0 Str. - 500	2/0 Str.	—	19 #6	—	—	825
KS39	2.31	3.29	1.94	4/0 Str. - 750	4/0 Str.	—	19 #5	—	—	1000
KS44	2.56	3.73	2.19	300 - 1000	4/0 Str.	—	—	—	—	1100

▲ Listed torque values are for maximum conductor combinations accommodated. Consult UL486 Tables 7-4, 7-5, 7-6 for smaller conductor combinations.

See note LIGHTNING PROTECTION INFO.

\* Not UL Listed or CSA Certified.

† In addition to UL Listed for wire connectors and CSA Certified, these items are also UL rated for direct burial.

**TYPE SC**

SERVIT® COVER



HUG-A-BUG

Used indoors or outdoors, this compact, one-piece plastic SERVIT® cover saves time and material, eliminates costly taping of split-bolts. Positive latch snaps easily and quickly over connector, ideal for tight quarters. Self-positioning plastic fingers wrap around wires fully insulating joint. UL Listed for 600 volt indoor application with type KS. Three covers accommodate a range of 6 SERVIT® sizes through 2/0 Str.



Catalog Number	For Use With
SC4	KS17, KS173, KS20, KSU17, KSU20
SC2	KS22, KS203, KS23, KS223, KSA6, KSA4, KSU22, KSU23
SC2/0	KS25, KS26, KSA2, KSA1/0, KSU25, KSU26