

## DS-K5604A-3XF/V Face Recognition Terminal



DS-K5604A-3XF/V face recognition terminal is a kind of access control device integrated with temperature screening function, which supports plug & play (rapid deployment, free of wiring, installation, or configuration). It can fast take temperature, which can be widely applied in multiple scenarios, such as enterprises, stations, dwellings, factories, schools, campus and so on. Note that the device is not for medical use.

- Plug & play
- Temperature measuring range: 30 °C to 45 °C (86 °F to 113 °F), accuracy: 0.1 °C, deviation: ± 0.5 °C
- Recognition distance: 0.3 to 2 m
- Face mask detection
- Displays temperature measurement results on the authentication page
- 10.1-inch LCD touch screen, 2 Mega pixel wide-angle lens
- 50,000 face capacity and 100,000 event capacity
- Face recognition duration < 0.2 s/User
- Face recognition accuracy rate ≥ 99%

*\*COMPLIANCE NOTICE: The thermal series products might be subject to export controls in various countries or regions, including without limitation, the United States, European Union, United Kingdom and/or other member countries of the Wassenaar Arrangement. Please consult your professional legal or compliance expert or local government authorities for any necessary export license requirements if you intend to transfer, export, re-export the thermal series products between different countries.*

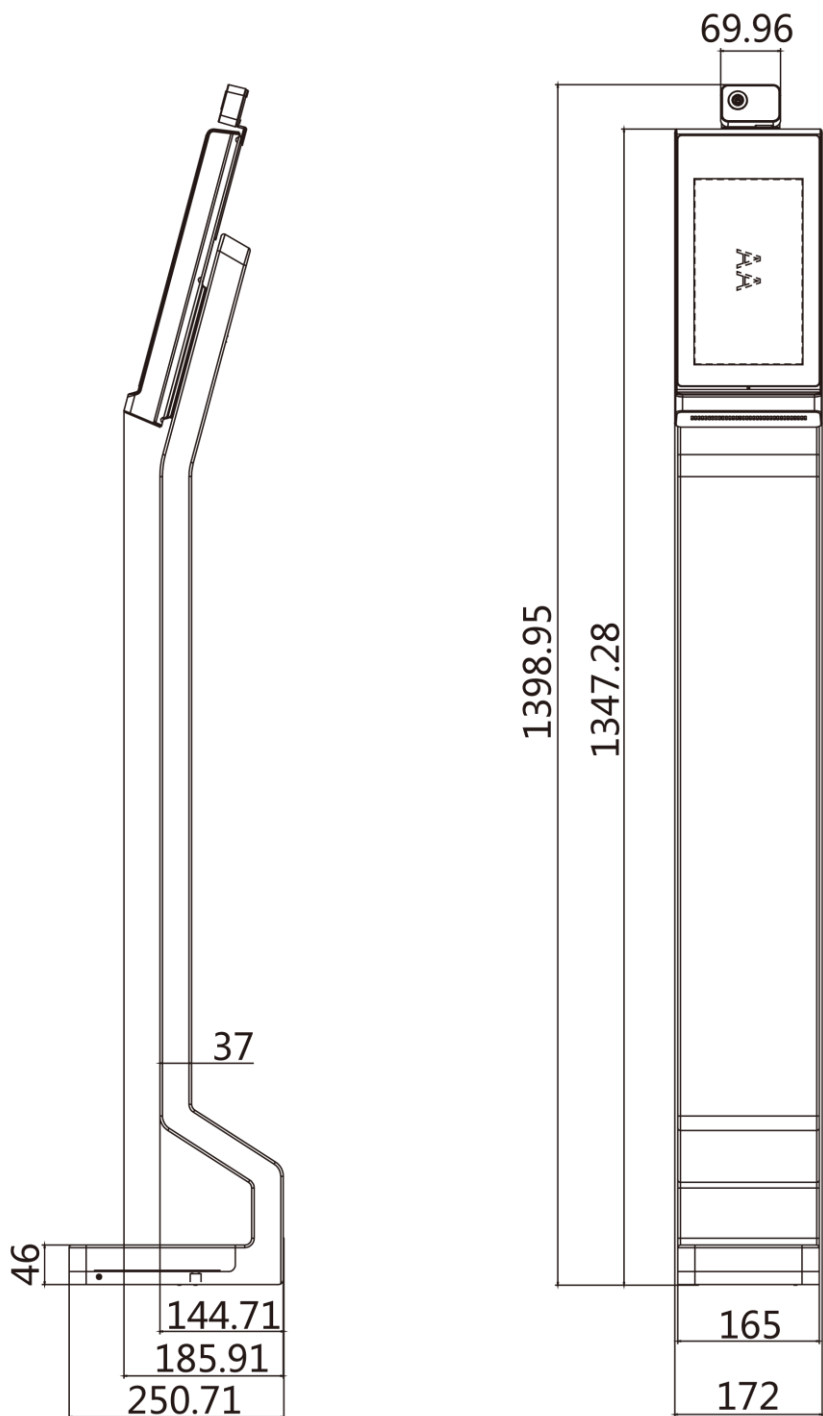
## ▪ Specification

Temperature measurement	
Temperature range	30 °C to 45 °C (86 °F to 113 °F)
Sensor	Vanadium Oxide uncooled sensor
Resolution	120 × 160
Frame rate	25 fps
Measurement accuracy	0.1 °C
Measurement deviation	± 0.5 °C, without black body calibration
Measuring distance	0.3 to 2 m
Display	
Screen size	10.1-inch
Type	Touch screen
Video	
FOV	HFOV= 87°; VFOV= 46°
Resolution	2 MP
Lens	Dual-lens
Network	
Wired network	Support, 10/100/1000 Mbps self-adaptive
Interface	
Network interface	1
RS-485	1
Lock control	1
Exit button	1
Door contact input	1
Alarm input	2
Alarm output	1
TAMPER	1
Capacity	
Face capacity	50,000
Event capacity	100,000
Authentication	
Face recognition duration	< 0.2 s per person
Face recognition distance	0.3 to 2 m
Function	
QR code recognition	Support. The dimension of the recognized QR code picture should be larger than 6 cm × 6 cm.
Face anti-spoofing	Support
Audio prompt	Support
General	
Power supply	12 VDC/2 A
Working temperature	0 °C to 50 °C (32 °F to 122 °F) For temperature measurement: 10 °C to 35 °C (50 °F to 95 °F)
Working humidity	10 to 90% (No condensing)
Application environment	Indoor and windless environment use only

▪ **Available Model**

DS-K5604A-3XF/V

▪ **Dimension**



**Headquarters**

No.555 Qianmo Road, Binjiang District,  
Hangzhou 310051, China  
T +86-571-8807-5998  
www.hikvision.com



Follow us on social media to get the latest product and solution information.

