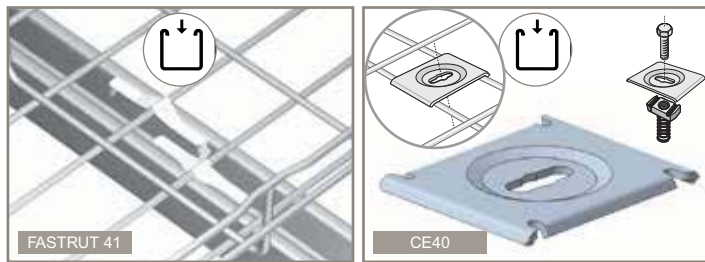
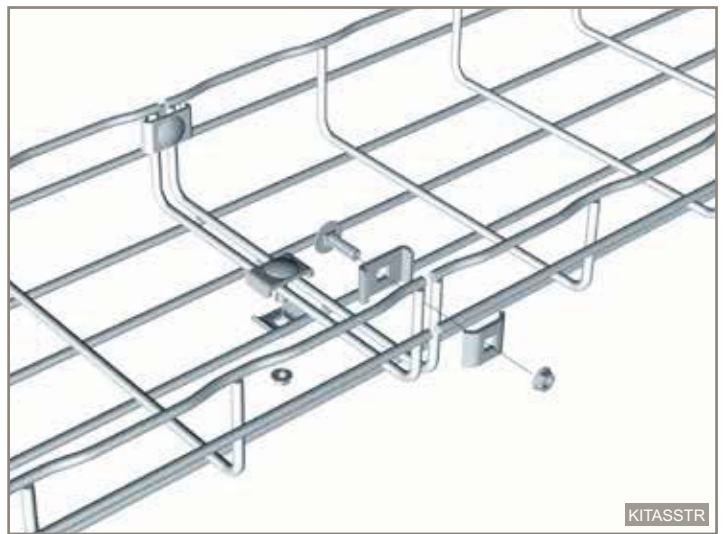


**channel strut clips – FASTRUT 41 / CE40**  
**fixing components – CE25/CE30**



**fixing kits – KITS**



Dimensions and technical information p. 48-51

**NOTE : please use Cat. No. when placing your order**

Pack	Cat. Nos.	<b>FASTRUT 41 – channel strut clip</b>								
50	<table border="1"> <tr> <td><b>DC</b></td> <td><b>316L</b></td> </tr> <tr> <td>CM599007</td> <td>CM599004</td> </tr> </table>	<b>DC</b>	<b>316L</b>	CM599007	CM599004	↓↑ 30 / 54 / 105 mm    ↔ 100 → 600 mm Use to secure steel wire cable tray to channel section or channel type cantilever arms For technical information, see p. 51				
<b>DC</b>	<b>316L</b>									
CM599007	CM599004									
		<b>CE40 – hold down clamps</b>								
		↓↑ 30 → 150mm    ↔ 100 → 600 mm								
		For technical information, see p. 69								
25	<table border="1"> <tr> <td><b>EZ</b></td> <td><b>DC</b></td> </tr> <tr> <td>CM558051</td> <td>CM558053</td> </tr> <tr> <td><b>304L</b></td> <td><b>316L</b></td> </tr> <tr> <td>CM558058</td> <td>CM558054</td> </tr> </table>	<b>EZ</b>	<b>DC</b>	CM558051	CM558053	<b>304L</b>	<b>316L</b>	CM558058	CM558054	↓↑ 30 → 150mm    ↔ 100 → 600 mm For technical information, see p. 69 100 daN 
<b>EZ</b>	<b>DC</b>									
CM558051	CM558053									
<b>304L</b>	<b>316L</b>									
CM558058	CM558054									

Pack	Cat. Nos.	<b>CE25 / CE30 – fixing components</b>				
100	<table border="1"> <tr> <td><b>EZ</b></td> <td><b>DC</b></td> </tr> <tr> <td>CM801011</td> <td>CM801017</td> </tr> </table>	<b>EZ</b>	<b>DC</b>	CM801011	CM801017	↓↑ 30 → 150 mm    ↔ 50 → 600 mm BTRCC 6 X 20
<b>EZ</b>	<b>DC</b>					
CM801011	CM801017					
50	<table border="1"> <tr> <td>CM558011</td> <td>CM558013</td> </tr> </table>	CM558011	CM558013	CE25		
CM558011	CM558013					
50	<table border="1"> <tr> <td>CM558041</td> <td>CM558043</td> </tr> </table>	CM558041	CM558043	CE30		
CM558041	CM558043					

Pack	Cat. Nos.	<b>CE25 / CE30 stainless steel – fixing components</b>				
100	<table border="1"> <tr> <td><b>304L</b></td> <td><b>316L</b></td> </tr> <tr> <td>CM801018</td> <td>CM801014</td> </tr> </table>	<b>304L</b>	<b>316L</b>	CM801018	CM801014	↓↑ 30 → 150 mm    ↔ 50 → 600 mm BTRCC 6 x 20
<b>304L</b>	<b>316L</b>					
CM801018	CM801014					
50	<table border="1"> <tr> <td>CM558018</td> <td>CM558014</td> </tr> </table>	CM558018	CM558014	CE25		
CM558018	CM558014					
50	<table border="1"> <tr> <td>CM558048</td> <td>CM558044</td> </tr> </table>	CM558048	CM558044	CE30		
CM558048	CM558044					

Dimensions and technical information p. 51

**NOTE : please use Cat. No. when placing your order**

Pack	Cat. Nos.	<b>KITS – fixing kits</b>				
50	<table border="1"> <tr> <td><b>EZ</b></td> <td><b>DC</b></td> </tr> <tr> <td>CM558081</td> <td>CM558087</td> </tr> </table>	<b>EZ</b>	<b>DC</b>	CM558081	CM558087	↓↑ 30 → 150 mm    ↔ 50 → 600 mm <b>KITASSTR</b> CE25+CE30+BTRCC 6 x 20 Kits comprise large clamp plate, small clamp plate, M6 nut and M6 x 20 coach bolt
<b>EZ</b>	<b>DC</b>					
CM558081	CM558087					
50	<table border="1"> <tr> <td><b>EZ</b></td> <td><b>DC</b></td> </tr> <tr> <td>CM558071</td> <td>CM558077</td> </tr> </table>	<b>EZ</b>	<b>DC</b>	CM558071	CM558077	<b>KITASSVS</b> CE25VS+CE30ES Kits comprise large clamp plate with integrated bolt and small clamp plate with integrated bolt
<b>EZ</b>	<b>DC</b>					
CM558071	CM558077					
50	<table border="1"> <tr> <td><b>EZ</b></td> <td><b>DC</b></td> </tr> <tr> <td>CM558091</td> <td>-</td> </tr> </table>	<b>EZ</b>	<b>DC</b>	CM558091	-	<b>KITFIXTR</b> CE25+BTRCC 6 X 20 Kits comprise small clamp plate, M6 nut and M6 x 20 coach bolt
<b>EZ</b>	<b>DC</b>					
CM558091	-					
50	<table border="1"> <tr> <td><b>EZ</b></td> <td><b>DC</b></td> </tr> <tr> <td>CM558061</td> <td>-</td> </tr> </table>	<b>EZ</b>	<b>DC</b>	CM558061	-	<b>KITFIXVS</b> CE25VS+EEC6 Kits comprise small clamp plate with M6 nut and integrated bolt
<b>EZ</b>	<b>DC</b>					
CM558061	-					

Pack	Cat. Nos.	<b>KITS – stainless steel fixing kits</b>				
50	<table border="1"> <tr> <td><b>304L</b></td> <td><b>316L</b></td> </tr> <tr> <td>-</td> <td>CM558954</td> </tr> </table>	<b>304L</b>	<b>316L</b>	-	CM558954	↓↑ 30 → 150 mm    ↔ 50 → 600 mm <b>KITINOX stainless steel</b> CE25VS+CE30+EEC6 Kits comprise large clamp plate, small clamp plate with integrated bolt and M6 nut
<b>304L</b>	<b>316L</b>					
-	CM558954					
100	<table border="1"> <tr> <td><b>304L</b></td> <td><b>316L</b></td> </tr> <tr> <td>-</td> <td>CM558084</td> </tr> </table>	<b>304L</b>	<b>316L</b>	-	CM558084	<b>KITASSTR stainless steel</b> CE25+CE30+BTRCC 6 x 20 Kits comprise large clamp plate, small clamp plate, M6 nut and M6 x 20 coach bolt
<b>304L</b>	<b>316L</b>					
-	CM558084					

<b>Key :</b>	<b>EZ</b> Electrogalvanising after manufacture	<b>304L</b> Stainless steel 304L
	<b>GC</b> Hot dip galvanised after manufacture	<b>316L</b> Stainless steel 316L
	<b>DC</b> Geomet	For detailed information related to finishes, refer to p. 116-117

All dimensions (mm) are nominal