



### Application:

AR round flange receptacle housings are designed specifically for semi-flush mounting in sheet metal panels or cabinets.

### Features:

- Back boxes are not needed for these receptacle assemblies.
- Where wiring behind a panel is exposed and subject to either mechanical injury or contact by personnel, suitable shields or guards should be provided.

### Standard Materials:

- Receptacle housings – copper-free aluminum
- Plug exteriors – copper-free aluminum
- Insulation: 30, 60, 100, 200 ampere – fiberglass-reinforced polyester
- Pressure and solder contacts – brass
- Crimp/solder contacts – leaded red brass

### Standard Finishes:

- Copper-free aluminum – natural
- Brass – natural
- Fiberglass-reinforced polyester – natural (red)
- Leaded red brass – electro-tin-plate

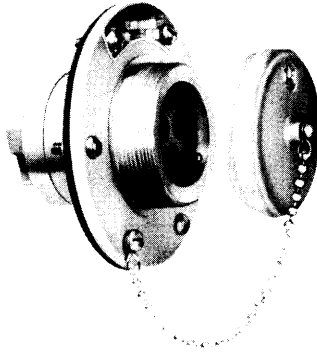
### Options:

- Available with these assemblies are:
- Reversed interiors (add suffix S22 to Cat. No.)
  - Special polarity (add suffix S4 to Cat. No.)
- See page 1P-4 for details.

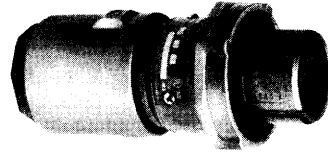
### Certifications and Compliances:

- UL Standard: 1682

NOTE: For general information on application, features and grounding, see pages 1P-2 and 3.



AR Receptacle housings with  
round flange and threaded cap



APJ Plugs with cable grip,  
Neoprene bushing and fastening  
ring



AP Plugs with cable grip,  
Neoprene bushing and fastening  
ring

# AR Arktite® Circuit Breaking Round Flange Receptacle Housings for Panel Mounting With Threaded Cap

Weatherproof

1P-37

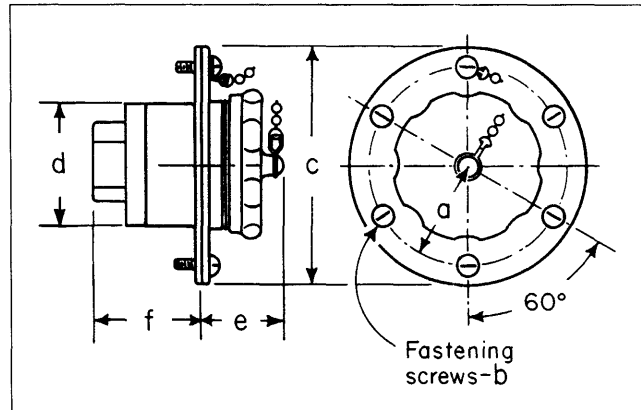


30/60/100/200 A, 600 VAC/250 VDC, AP and APJ Plugs

Amps	Style ‡	Description	Recept. Cat. #	Cable Dia.	Plug Cat. #
30	1	2-wire, 2-pole } *	AR6327	0.60 to 1.20	APJ3275
		3-wire, 3-pole } *	AR6337	0.60 to 1.20	APJ3375
		4-wire, 4-pole } *	AR6347	0.60 to 1.20	APJ3475
	2	2-wire, 3-pole } *	AR6338	0.60 to 1.20	APJ3385
		3-wire, 4-pole } *	AR6348	0.60 to 1.20	APJ3485
		<hr/>			
60	1	2-wire, 2-pole } *	AR6627	0.75 to 1.45	APJ6275
		3-wire, 3-pole } *	AR6637	0.75 to 1.45	APJ6375
		4-wire, 4-pole } *	AR6647	0.75 to 1.45	APJ6475
	2	2-wire, 3-pole } *	AR6638	0.75 to 1.45	APJ6385
		3-wire, 4-pole } *	AR6648	0.75 to 1.45	APJ6485
		<hr/>			
100	1	2-wire, 2-pole } *	AR61027	1.00 to 1.70	APJ10277
		3-wire, 3-pole } *	AR61037	1.00 to 1.70	APJ10377
		4-wire, 4-pole } *	AR61047	1.00 to 1.70	APJ10477
	2	2-wire, 3-pole } *	AR61038	1.00 to 1.70	APJ10387
		3-wire, 4-pole } *	AR61048	1.00 to 1.70	APJ10487
		<hr/>			
200	1	3-wire, 3-pole } *	AR62031 ♦	.875 to 1.375	AP20355
				1.375 to 1.875	AP20357
				1.875 to 2.500	AP20358
	2	2-wire, 3-pole } *	AR62032 ♦	.875 to 1.375	AP20365
				1.375 to 1.875	AP20367
				1.875 to 2.500	AP20368

‡ Style 1 - Grounded through shell. Style 2 - Grounded through extra pole and shell.  
 ♦ 200 ampere size is provided with clamp cover.  
 \* Pressure connectors are standard. Crimp/solder type terminators are optionally available for 2, 3 and 4-pole 30 ampere, 3 and 4-pole 60 and 100 ampere. For details, see table on page 1P-4. To specify, add the suffix "T" to the catalog number. For example:  
 APJ3375-T (Plug) AR6337-T (Receptacle)

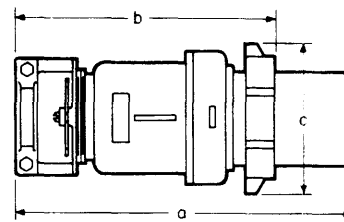
## Dimensions



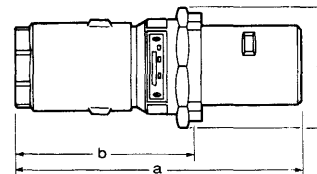
## AR Round Flange Receptacles

Description	a	b	c	d	e	f
30 amp. 2, 3, 4-pole	2	12-24	4¾	27/16	1½	2¼
60 amp. 2, 3-pole	2	12-24	4¾	213/16	17/8	3¾
60 amp. 4-pole	2	12-24	4¾	31/8	17/8	3¾
100 amp. 2, 3-pole	2	12-24	4¾	31/16	17/8	49/16
100 amp. 4-pole	2	12-24	4¾	35/16	17/8	49/16
200 amp. 3-pole	3¾	¾-16	7¾	43/16	27/8	51/8

## AP 200A Plugs



## APJ 30, 60 and 100A Plugs



Amps	No. Poles	a	b	c
30	2, 3 or 4	6½	413/16	215/16
60	2 or 3	8½	5¾	35/8
60	4	8½	513/16	3¾
100	2 or 3	101/8	69/16	3¾
100	4	101/8	65/8	41/8
200	3	14¾	1011/16	6¾

† These dimensions are approximate and vary with cable size.