



LED Designer Deco

26UFO/LED/865/FR/P/ND 6/1FB

Philips LED Designer Deco lamps allow you to maintain a warm, classic light or a modern, chic effect while providing longer life and energy savings

Product data

General information	
Cap-Base	E26 [Single Contact Medium Screw]
EU RoHS compliant	Yes
Nominal Lifetime (Nom)	15000 h
Switching Cycle	50000X
Technical Type	26-125W

Light technical	
Color Code	865 [CCT of 6500K]
Beam Angle (Nom)	120 °
Luminous Flux (Nom)	2050 lm
Color Designation	Cool Daylight
Correlated Color Temperature (Nom)	6500 K
Luminous Efficacy (rated) (Nom)	78.00 lm/W
Color Consistency	<6
Color Rendering Index (Nom)	80
LLMF At End Of Nominal Lifetime (Nom)	70 %

Operating and electrical	
Input Frequency	50 to 60 Hz
Power (Nom)	26 W
Lamp Current (Nom)	360 mA
Wattage Equivalent	125 W
Starting Time (Nom)	0.5 s
Warm Up Time to 60% Light (Nom)	0.5 s

Power Factor (Nom)	0.5
Voltage (Nom)	110-240 V

Temperature	
T-Case Maximum (Nom)	72 °C

Controls and dimming	
Dimmable	No

Mechanical and housing	
Bulb Finish	Frosted
Bulb Material	Plastic
Bulb Shape	Others

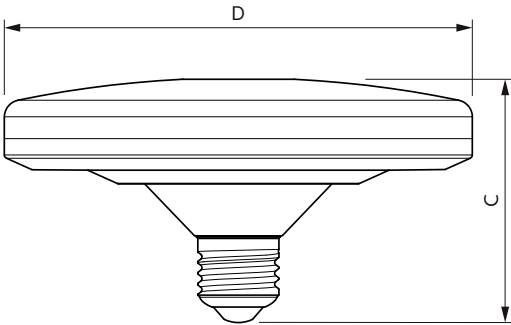
Approval and application	
Energy Consumption kWh/1000 h	- kWh
Energy Certifications	No

Product data	
Order product name	26UFO/LED/865/FR/P/ND 6/1FB
EAN/UPC - Product	046677545130
Order code	929002010805
Numerator - Quantity Per Pack	1
Numerator - Packs per outer box	6
Material Nr. (12NC)	929002010805

LED Designer Deco

Copy Net Weight (Piece) 0.253 kg

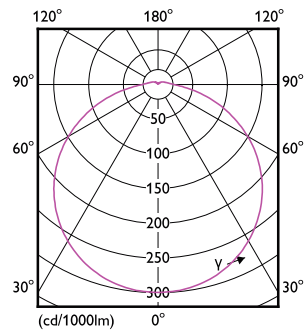
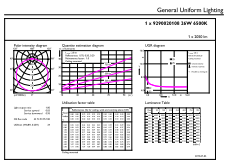
Dimensional drawing



26UFO/LED/865/FR/P/ND 6/1FB

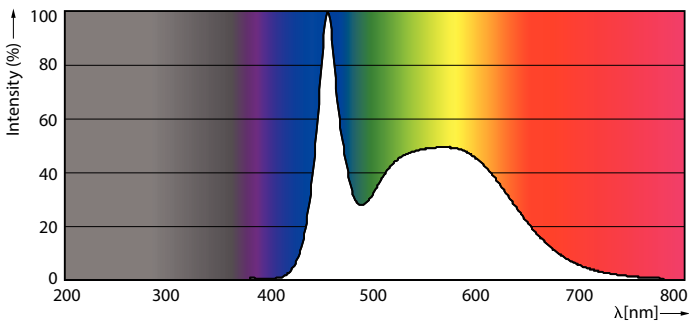
Product	D	C
26UFO/LED/865/FR/P/ND 6/1FB	200 mm	77 mm

Photometric data



LEDbulb UFO 125W E26 Others 865 Frosted

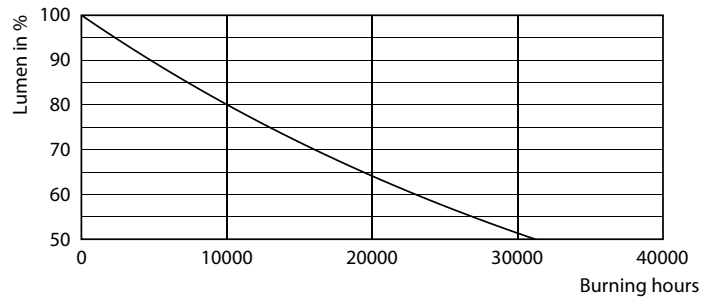
LEDbulb UFO 125W E26 Others 865 Frosted



LEDbulb UFO 125W E26 Others 865 Frosted

LED Designer Deco

Lifetime



Life Expectancy Diagram

Lumen Maintenance Diagram

