



Essential LEDspot MR16

LED MR16 4.5-50W 36D 830SO100-240V 1PF/6

Essential LEDspots MR16 are compatible with most existing fixtures with a GU5.3 socket and are designed as a retrofit replacement for halogen spots. Essential LEDspots MR16 deliver significant energy savings and minimize initial investment.

Product data

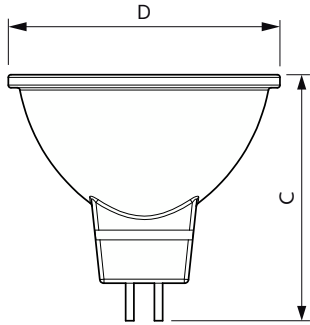
General information		Wattage Equivalent	
Cap-Base	GU5.3 [GU5.3]		50 W
EU RoHS compliant	Yes	Starting Time (Nom)	0.5 s
Nominal Lifetime (Nom)	15000 h	Warm Up Time to 60% Light (Nom)	0.5 s
Switching Cycle	50000	Power Factor (Nom)	0.4
		Voltage (Nom)	100-240 V
Light technical		Temperature	
Color Code	830 [CCT of 3000K]	T-Case Maximum (Nom)	65 °C
Beam Angle (Nom)	36 °		
Luminous Flux (Nom)	400 lm	Controls and dimming	
Luminous Intensity (Nom)	700 cd	Dimmable	No
Color Designation	White (WH)	Mechanical and housing	
Correlated Color Temperature (Nom)	3000 K	Bulb Shape	MR16 [2inch/50mm]
Luminous Efficacy (rated) (Nom)	88.00 lm/W	Approval and application	
Color Consistency	<6	Suitable For Accent Lighting	Yes
Color Rendering Index (Nom)	80	Product data	
LLMF At End Of Nominal Lifetime (Nom)	70 %	Order product name	LED MR16 4.5-50W 36D 830SO100-240V 1PF/6
Operating and electrical			
Input Frequency	50 to 60 Hz		
Power (Nom)	4.5 W		

Essential LEDspot MR16

EAN/UPC - Product	046677567682
Order code	929001874061
Numerator - Quantity Per Pack	1
Numerator - Packs per outer box	6

Material Nr. (12NC)	929001874061
Net Weight (Piece)	0.026 kg

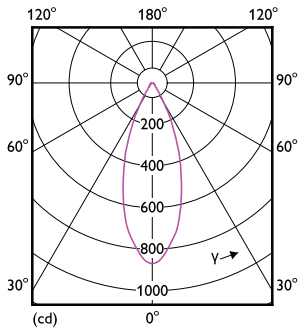
Dimensional drawing



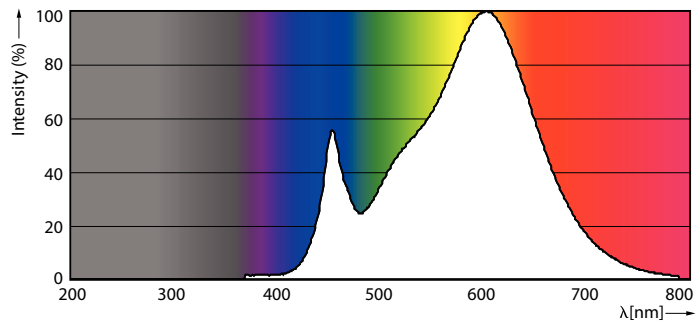
LED MR16 4.5-50W 36D 830SO100-240V 1PF/6

Product	D	C
LED MR16 4.5-50W 36D 830SO100-240V 1PF/6	50.5 mm	46.5 mm

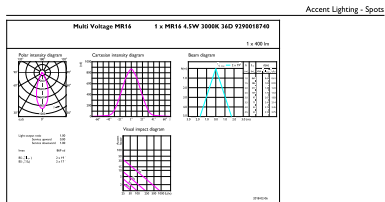
Photometric data



50W GU5-3 MR16 36D 830 3000K



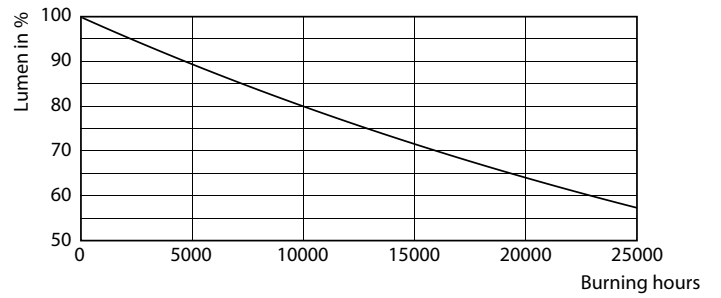
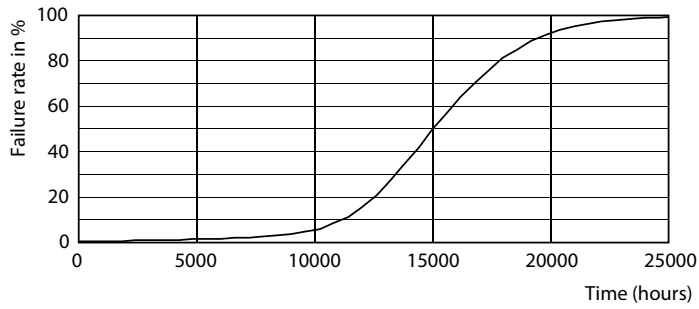
50W GU5-3 MR16



50W GU5-3 MR16 36D 830 3000K

Essential LEDspot MR16

Lifetime



50W GU5-3 MR16

50W GU5-3 MR16

