

Product data sheet

Specifications

SQUARE D

Green Premium™



Industrial control transformer, Type T, 1 phase, 100VA, 240x480V primary, 120/240V secondary, 50/60Hz

9070T100D31

Product availability : Stock - Normally stocked in distribution facility

Price* : 249.00 USD

Main

Product Type	Industrial Control Transformer
Power Rating	100 VA
Type	T

Complementary

Number of Phases	1 phase
Power Rating	100 VA
Temperature Rise	55 °C
Electrical Connection	Screw clamp terminals
Height	2.89 in (73.41 mm)
Width	3.38 in (85.85 mm)
Depth	3.34 in (84.84 mm)
Material	Copper winding
Fingersafe Cover Compatibility	FSC1

Environment

Certifications	CSA file LR37055 guide 184-N-90 UL listed file E61239
Enclosure Type	Not rated (open device)
Insulation Temperature	221 °F (105 °C)

Ordering and shipping details

Category	16200-9070 T (NOT TF) 50-200VA
Discount Schedule	CP8
GTIN	785901845577
Nbr. of units in pkg.	1
Package weight(Lbs)	3.78 lb(US) (1.715 kg)
Returnability	Yes

* Price is "List Price" and may be subject to a trade discount – check with your local distributor or retailer for actual price.

Country of origin	MX
-------------------	----

Packing Units

Unit Type of Package 1	PCE
Package 1 Height	3.80 in (9.652 cm)
Package 1 width	4.10 in (10.414 cm)
Package 1 Length	4.10 in (10.414 cm)

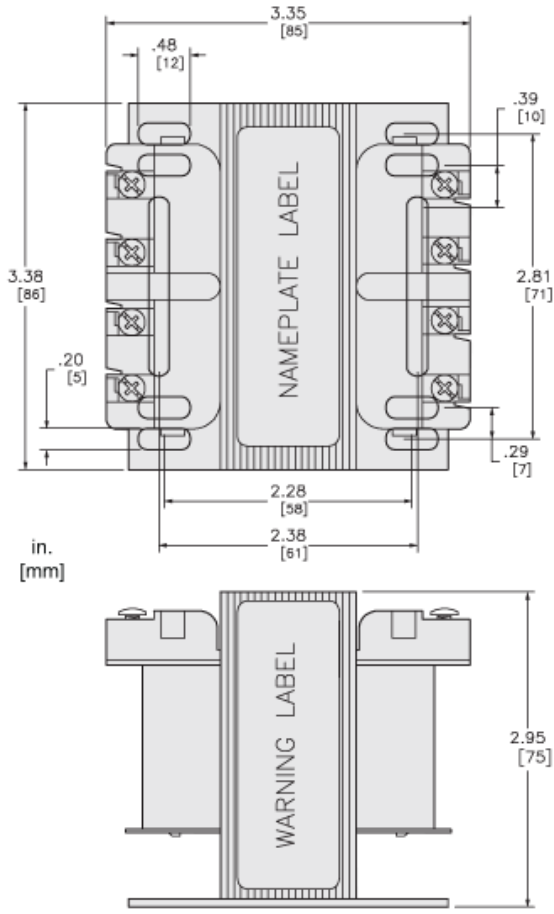
Offer Sustainability

Sustainable offer status	Green Premium product
California proposition 65	WARNING: This product can expose you to chemicals including: Phenyl glycidyl ether, which is known to the State of California to cause cancer and birth defects or other reproductive harm. For more information go to www.P65Warnings.ca.gov
REACH Regulation	REACH Declaration
EU RoHS Directive	Compliant EU RoHS Declaration
Mercury free	Yes
RoHS exemption information	Yes
China RoHS Regulation	China RoHS declaration Product out of China RoHS scope. Substance declaration for your information.
Environmental Disclosure	Product Environmental Profile
PVC free	Yes

Contractual warranty

Warranty	10 Years
----------	----------

Approximate Dimensions



Connections and Wiring Diagrams

Voltage and Connection Options

Voltage Code	Voltages		Connections	
	Primary	Secondary	Primary	Secondary
D31	220 x 440 230 x 460 240 x 480	110/220 115/230 120/240	220 or 230 or 240: Connect to H1 and H4 Jumper H1 with H3 Jumper H2 with H4 440 or 460 or 480: Connect to H1 and H4 Jumper H2 with H3	110 or 115 or 120: Connect to X1 and X4 Jumper X1 with X3 Jumper X2 with X4 220 or 230 or 240: Connect to X1 and X4 Jumper X2 with X3
D55	110 x 220 115 x 230 120 x 240	110 x 220 115 x 230 120 x 240	110 or 115 or 120: Connect to H1 and H4 Jumper H1 with H3 Jumper H2 with H4 220 or 230 or 240: Connect to H1 and H4 Jumper H2 with H3	110 or 115 or 120: Connect to X1 and X4 Jumper X1 with X3 Jumper X2 with X4 220 or 230 or 240: Connect to X1 and X4 Jumper X2 with X3

