

circuit breaker 3VT1 standard breaking capacity  $I_{cu}=25\text{kA}$ , 415V AC  
 3-pole, line protection trip unit TM,  $I_n=32\text{A}$  rated current  
 $I_R=25\text{...}32\text{A}$  overload protection  $I=160\text{...}320\text{A}$ , short-circuit  
 protection without auxiliary release without auxiliary/alarm switch



Model	
product brand name	SENTRON
Product designation	3VT1_5 molded case circuit breakers
Design of the operating mechanism	toggle handle
Type of the driving mechanism / motor drive	No
Design of the overcurrent release	TM
General technical data	
number of poles	3
Size of the circuit-breaker	3VT1
Electrical endurance (switching cycles) / typical	6 000
Usage category	A
Performance class for circuit breaker	N
Mechanical service life (switching cycles) / typical	20 000
Operating frequency / maximum	120 1/h
Voltage	
Insulation voltage / rated value	690 V
Surge voltage resistance / rated value	8 kV
Protection class	

Protection class IP	IP40
protection function of the overcurrent release	LI
<b>Dissipation</b>	
Power loss [W] / for rated value of the current / at AC / in hot operating state / per pole	1.33 W
<b>Current</b>	
Continuous current / rated value	32 A
Derating temperature / for the rated value of the continuous current	40 °C
adjustable pick-up value current	
<ul style="list-style-type: none"> <li>• of the current-dependent overload release / Full-scale value</li> </ul>	32 A
<ul style="list-style-type: none"> <li>• of instantaneous short-circuit trip unit / initial value</li> </ul>	160 A
<ul style="list-style-type: none"> <li>• of instantaneous short-circuit trip unit / Full-scale value</li> </ul>	320 A
<b>Main circuit</b>	
Operating frequency	
<ul style="list-style-type: none"> <li>• 1 / rated value</li> </ul>	50 Hz
<ul style="list-style-type: none"> <li>• 2 / rated value</li> </ul>	60 Hz
Operating current	
<ul style="list-style-type: none"> <li>• at 40 °C / rated value</li> </ul>	32 A
<ul style="list-style-type: none"> <li>• at 50 °C / rated value</li> </ul>	29 A
<b>Auxiliary circuit</b>	
Number of CO contacts / for auxiliary contacts	0
Number of NC contacts / for auxiliary contacts	0
Number of NO contacts / for auxiliary contacts	0
<b>Suitability</b>	
<ul style="list-style-type: none"> <li>• suitability for use</li> </ul>	system protection
<ul style="list-style-type: none"> <li>• Suitability for use / Disconnecting means</li> </ul>	Yes
<b>Adjustable parameters</b>	
adjustable pick-up value current / of the current-dependent overload release / initial value	25 A
<b>Product details</b>	
Product component	
<ul style="list-style-type: none"> <li>• Trip indicator</li> </ul>	No
<ul style="list-style-type: none"> <li>• Auxiliary switch</li> </ul>	No
<ul style="list-style-type: none"> <li>• Voltage trigger</li> </ul>	No
<ul style="list-style-type: none"> <li>• undervoltage release</li> </ul>	No
<ul style="list-style-type: none"> <li>• undervoltage release with leading contact</li> </ul>	No

Product extension / optional / motor drive	Yes
<b>Product function</b>	
Product function	
<ul style="list-style-type: none"> <li>• of thermal overload trip unit</li> </ul>	adjustable
<ul style="list-style-type: none"> <li>• Ground fault protection</li> </ul>	No
<ul style="list-style-type: none"> <li>• for neutral conductors / Short-circuit and overload proof</li> </ul>	No
<ul style="list-style-type: none"> <li>• Phase failure detection</li> </ul>	No
<ul style="list-style-type: none"> <li>• Overload protection</li> </ul>	Yes
<b>Short circuit</b>	
Operational short-circuit current breaking capacity (Ics)	
<ul style="list-style-type: none"> <li>• at 240 V / rated value</li> </ul>	20 kA
<ul style="list-style-type: none"> <li>• at 415 V / rated value</li> </ul>	13 kA
<ul style="list-style-type: none"> <li>• at 500 V / rated value</li> </ul>	6 kA
<ul style="list-style-type: none"> <li>• at 690 V / rated value</li> </ul>	3 kA
Maximum short-circuit current breaking capacity (Icu)	
<ul style="list-style-type: none"> <li>• at 240 V / rated value</li> </ul>	40 kA
<ul style="list-style-type: none"> <li>• at 415 V / rated value</li> </ul>	25 kA
<ul style="list-style-type: none"> <li>• at 500 V / rated value</li> </ul>	12 kA
<ul style="list-style-type: none"> <li>• at 690 V / rated value</li> </ul>	6 kA
<b>Connections</b>	
Arrangement of electrical connectors / for main current circuit	front side
Type of electrical connection / for main current circuit	box terminal
<b>Mechanical Design</b>	
Height	130 mm
Width	75 mm
Depth	80 mm
Mounting type	fixed mounting
mounting position	with vertical mounting surface +/-180° rotatable, with vertical mounting surface +/- 30° tiltable to the front and back
net weight	1.059 kg
<b>Environmental conditions</b>	
Ambient temperature / during operation	
<ul style="list-style-type: none"> <li>• minimum</li> </ul>	-40 °C
<ul style="list-style-type: none"> <li>• maximum</li> </ul>	55 °C
Ambient temperature / during storage	
<ul style="list-style-type: none"> <li>• minimum</li> </ul>	-40 °C
<ul style="list-style-type: none"> <li>• maximum</li> </ul>	55 °C

## Certificates

- reference code / acc. to DIN EN 61346-2 Q
- Reference code / acc. to DIN EN 81346-2 Q

General Product Approval	Declaration of Conformity	Test Certificates	other
--------------------------	---------------------------	-------------------	-------



CCC



EG-Konf.

[Type Test Certificates/Test Report](#)

[Miscellaneous](#)

[Manufacturer Declaration](#)

## Further information

### Information- and Downloadcenter (Catalogs, Brochures,...)

<http://www.siemens.com/lowvoltage/catalogs>

### Industry Mall (Online ordering system)

<https://mall.industry.siemens.com/mall/en/en/Catalog/product?mlfb=3VT1703-2DC36-0AA0>

### Service&Support (Manuals, Certificates, Characteristics, FAQs,...)

<https://support.industry.siemens.com/cs/ww/en/ps/3VT1703-2DC36-0AA0>

### Image database (product images, 2D dimension drawings, 3D models, device circuit diagrams, ...)

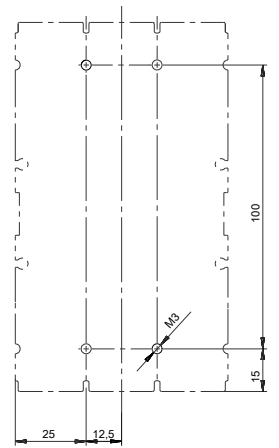
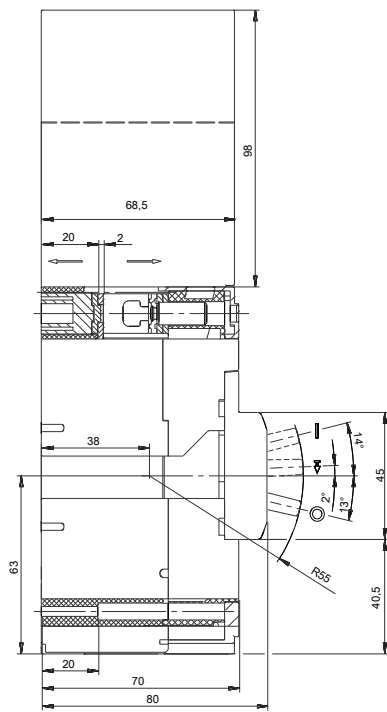
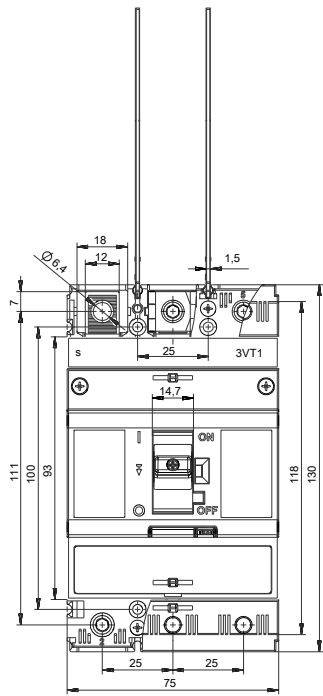
[http://www.automation.siemens.com/bilddb/cax\\_en.aspx?mlfb=3VT1703-2DC36-0AA0](http://www.automation.siemens.com/bilddb/cax_en.aspx?mlfb=3VT1703-2DC36-0AA0)

### CAX-Online-Generator

<http://www.siemens.com/cax>

### Tender specifications

<http://www.siemens.com/specifications>



Q

