

BASIC UNIT 1 SIMOCODE PRO C; PROFIBUS DP-INTERFACE 12 MBIT/S, RS485; 4I/3O FREELY PARAMETERIZABLE; US: AC/DC 110-240V; THERMISTOR MOTOR PROTECTION; OUTPUTS MONOSTABLE



product brand name	SIRIUS
Product designation	SIMOCODE pro C Motor Management System
Design of the product	basic unit 1
<b>General technical data:</b>	
Power loss [W] total typical	5 W
Insulation voltage	
• with degree of pollution 3 rated value	300 V
• rated value	300 V
Shock resistance	
• acc. to IEC 60068-2-27	15g / 11 ms
Vibration resistance	1-6 Hz / 15 mm; 6-500 Hz / 2 g
Surge voltage resistance rated value	4 000 V
Mechanical service life (switching cycles)	
• typical	10 000 000
Electrical endurance (switching cycles)	
• typical	100 000
Protection class IP	IP20
Equipment marking	
• acc. to DIN EN 61346-2	F

- acc. to DIN EN 81346-2

F

#### Electromagnetic compatibility:

<b>EMC emitted interference</b>	
<ul style="list-style-type: none"> <li>• acc. to IEC 60947-1</li> </ul>	class A
<b>EMI immunity acc. to IEC 60947-1</b>	corresponds to degree of severity 3
<b>Conducted interference due to burst acc. to IEC 61000-4-4</b>	2 kV (power ports) / 1 kV (signal ports)
<b>Conducted interference due to conductor-earth surge acc. to IEC 61000-4-5</b>	2 kV
<b>Conducted interference due to conductor-conductor surge acc. to IEC 61000-4-5</b>	1 kV
<b>Conducted interference due to high-frequency radiation acc. to IEC 61000-4-6</b>	10 V
<b>Field-bound parasitic coupling acc. to IEC 61000-4-3</b>	10 V/m
<b>Electrostatic discharge acc. to IEC 61000-4-2</b>	6 kV contact discharge / 8 kV air discharge

#### Inputs/ Outputs:

<b>Number of inputs</b>	4
<ul style="list-style-type: none"> <li>• for thermistor connection</li> </ul>	1
<b>Number of digital inputs</b>	
<ul style="list-style-type: none"> <li>• with a common reference potential</li> </ul>	4
<b>Digital input version</b>	
<ul style="list-style-type: none"> <li>• Type 1 acc. to IEC 61131</li> </ul>	Yes
<b>Number of outputs</b>	3
<b>Number of outputs as contact-affected switching element</b>	3
<b>Number of semiconductor outputs</b>	0

#### Motor protection functions:

<b>Product function Overload protection</b>	Yes
<b>Product function Evaluation of thermistor motor protection</b>	Yes

#### Motor control functions:

<b>Product function</b>	
<ul style="list-style-type: none"> <li>• parameterizable overload relay</li> <li>• circuit breaker control</li> <li>• direct start</li> <li>• reverse starting</li> <li>• star-delta circuit</li> <li>• star-delta reversing circuit</li> <li>• Dahlander circuit</li> <li>• Dahlander reversing circuit</li> <li>• pole-changing switch circuit</li> <li>• pole-changing switch reversing circuit</li> </ul>	<ul style="list-style-type: none"> <li>Yes</li> <li>Yes</li> <li>Yes</li> <li>Yes</li> <li>No</li> <li>No</li> <li>No</li> <li>No</li> <li>No</li> <li>No</li> </ul>

- Slide control
- valve control

No

No

#### Communication/ Protocol:

<b>Product function Bus communication</b>	Yes
<b>Protocol is supported</b>	
• PROFIBUS DP protocol	Yes
• PROFINET IO protocol	No
• PROFI-safe protocol	No
• LLDP	No
• Address Resolution Protocol (ARP)	No
• SNMP	No
• HTTPS	No
• OPC UA Server	No
• NTP	No
• Media Redundancy Protocol (MRP)	No
<b>Product function</b>	
• web server	No
• shared device	No
• at the Ethernet interface Autonegotiation	No
• at the Ethernet interface Autosensing	No
• MRRT redundancy procedure	No
• is supported PROFINET system redundancy	No
• supports PROFIenergy measured values	No
• supports PROFIenergy shutdown	No
Type of electrical connection of the communication interface	D-sub / terminal

#### Installation/ mounting/ dimensions:

<b>Mounting position</b>	any
<b>Mounting type</b>	screw and snap-on mounting
<b>Height</b>	111 mm
<b>Width</b>	45 mm
<b>Depth</b>	95 mm

#### Connections/ Terminals:

<b>Type of electrical connection</b>	
• for auxiliary and control current circuit	screw-type terminals
<b>Product function</b>	
• removable terminal for auxiliary and control circuit	Yes
<b>Type of connectable conductor cross-sections</b>	
• solid	1x (0.5 ... 4.0 mm <sup>2</sup> ), 2x (0.5 ... 2.5 mm <sup>2</sup> )
• finely stranded with core end processing	1x (0.5 ... 2.5 mm <sup>2</sup> ), 2x (0.5 ... 1.5 mm <sup>2</sup> )

<ul style="list-style-type: none"> <li>• at AWG conductors <ul style="list-style-type: none"> <li>— solid</li> <li>— stranded</li> </ul> </li> </ul>	1x (20 ... 12), 2x (20 ... 14) 1x (20 ... 14), 2x (20 ... 16)
<b>Tightening torque</b>	
<ul style="list-style-type: none"> <li>• with screw-type terminals</li> </ul>	0.8 ... 1.2 N·m
<b>Tightening torque [lbf·in]</b>	
<ul style="list-style-type: none"> <li>• with screw-type terminals</li> </ul>	7 ... 10.3 lbf·in

<b>Ambient conditions:</b>	
<b>Installation altitude at height above sea level maximum</b>	4 000 m
<b>Ambient temperature</b>	
<ul style="list-style-type: none"> <li>• during operation</li> <li>• during storage</li> <li>• during transport</li> <li>• at installation altitude ≤ 3000m during operation maximum</li> <li>• at installation altitude ≤ 4000 m during operation maximum</li> </ul>	-25 ... +60 °C -40 ... +80 °C -40 ... +80 °C 50 °C 40 °C
<b>Relative humidity during operation</b>	5 ... 95 %
<b>Contact rating of auxiliary contacts according to UL</b>	B300 / R300

<b>Short-circuit:</b>	
Design of short-circuit protection per output	Fuse links: gG 6 A, quick-response 10 A (IEC 60947-5-1), miniature circuit-breaker C char.: 1.6 A (IEC 60947-5-1) or 6 A (I_K < 500 A)

<b>Safety related data:</b>	
<b>Protection against electrical shock</b>	finger-safe

<b>Galvanic isolation:</b>	
<b>Design of the electrical isolation</b>	Protective separation in accordance with IEC 60947-1 for all circuits

<b>Main circuit:</b>	
<b>Operating voltage</b>	
<ul style="list-style-type: none"> <li>• at AC <ul style="list-style-type: none"> <li>— at 50 Hz rated value</li> <li>— at 60 Hz rated value</li> </ul> </li> <li>• at DC rated value <ul style="list-style-type: none"> <li>— maximum</li> <li>— minimum</li> </ul> </li> </ul>	110 ... 240 V 110 ... 240 V 240 V 110 V

<b>Control circuit/ Control:</b>	
<b>Type of voltage of the control supply voltage</b>	AC/DC
<b>Control supply voltage at AC</b>	
<ul style="list-style-type: none"> <li>• at 50 Hz rated value</li> </ul>	110 ... 240 V

• at 60 Hz rated value	110 ... 240 V
<b>Control supply voltage at DC</b>	
• rated value	110 ... 240 V
<b>Control supply voltage 1</b>	
• at DC rated value	240 V
• rated value	50 Hz
<b>Control supply voltage frequency 2 rated value</b>	60 Hz
<b>Response value of thermoresistor</b>	3 400 ... 3 800 Ω

<b>Supply voltage:</b>	
Type of voltage of the supply voltage	AC/DC

**Certificates/ approvals:**

<b>General Product Approval</b>	<b>EMC</b>	<b>For use in hazardous locations</b>
---------------------------------	------------	---------------------------------------



<b>For use in hazardous locations</b>	<b>Declaration of Conformity</b>	<b>Test Certificates</b>	<b>Shipping Approval</b>
---------------------------------------	----------------------------------	--------------------------	--------------------------

[Explosionsschutzertifikat](#)



[spezielle Prüfbescheinigungen](#)

[Werksbescheinigungen](#)

[Typprüfbescheinigung/Werkszeugnis](#)



<b>Shipping Approval</b>	<b>other</b>
--------------------------	--------------



[Bestätigungen](#)

[PROFINET-Zertifizierung](#)



<b>other</b>
--------------

[PROFISafe-Zertifizierung](#)

**Further information**

**Information- and Downloadcenter (Catalogs, Brochures,...)**  
<http://www.siemens.com/industrial-controls/catalogs>

**Industry Mall (Online ordering system)**

<http://www.siemens.com/industrymall>

**Cax online generator**

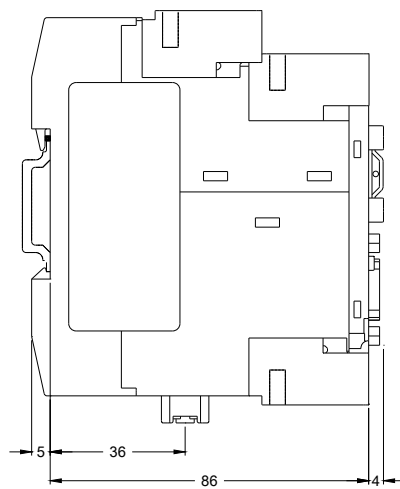
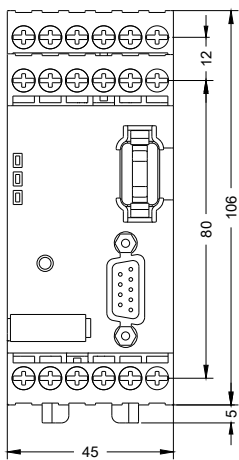
<http://support.automation.siemens.com/WW/CAXorder/default.aspx?lang=en&mfb=3UF70001AU000>

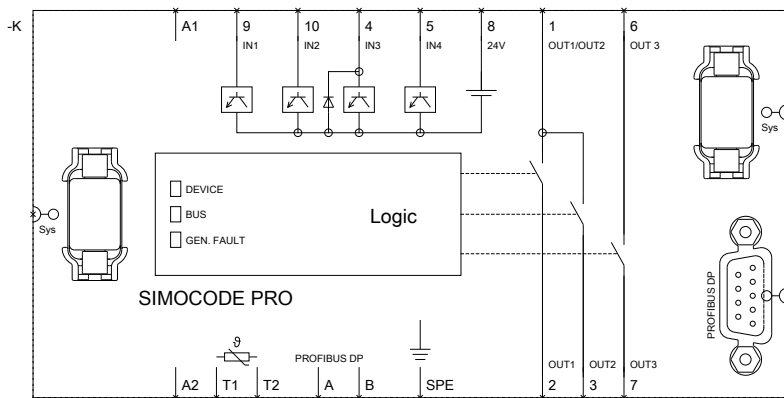
**Service&Support (Manuals, Certificates, Characteristics, FAQs,...)**

<https://support.industry.siemens.com/cs/ww/en/ps/3UF70001AU000>

**Image database (product images, 2D dimension drawings, 3D models, device circuit diagrams, EPLAN macros, ...)**

[http://www.automation.siemens.com/bilddb/cax\\_de.aspx?mfb=3UF70001AU000&lang=en](http://www.automation.siemens.com/bilddb/cax_de.aspx?mfb=3UF70001AU000&lang=en)





last modified:

07.12.2015