



Circuit breaker 40...50 A, A-release 40...50 A, for motor protection, class 10, short-circuit release 650 A, screw terminal standard switching capacity SIRIUS

<b>product brand name</b>	SIRIUS
<b>product designation</b>	Circuit breaker
<b>design of the product</b>	for motor protection
<b>product type designation</b>	3RV5
<b>General technical data</b>	
<b>size of the circuit-breaker</b>	S2
<b>power loss [W] total typical</b>	20 W
power loss [W] for rated value of the current at AC in hot operating state per pole	7.7 W
insulation voltage with degree of pollution 3 at AC rated value	690 V
<b>surge voltage resistance rated value</b>	6 kV
<b>shock resistance according to IEC 60068-2-27</b>	25g / 11 ms
<b>Substance Prohibition (Date)</b>	07/01/2006
<b>SVHC substance name</b>	Lead - 7439-92-1
<b>Ambient conditions</b>	
installation altitude at height above sea level maximum	2 000 m
<b>ambient temperature</b>	
• during operation	-20 ... +60 °C
• during transport	-50 ... +80 °C
relative humidity during operation	10 ... 95 %
<b>Main circuit</b>	
<b>number of poles for main current circuit</b>	3
<b>adjustable current response value current of the current-dependent overload release</b>	40 ... 50 A
<b>operating voltage</b>	
• rated value	690 V
• at AC-3 rated value maximum	690 V
<b>operating frequency rated value</b>	50 ... 60 Hz
<b>operational current rated value</b>	50 A
operational current at AC-3 at 400 V rated value	50 A
operating frequency at AC-3 maximum	15 1/h
<b>Protective and monitoring functions</b>	
<b>trip class</b>	CLASS 10
<b>design of the overload release</b>	thermal
maximum short-circuit current breaking capacity (I <sub>cu</sub> ) at AC at 400 V rated value	50 kA
operating short-circuit current breaking capacity (I <sub>cs</sub> ) at AC at 400 V rated value	25 kA
response value current of instantaneous short-circuit trip unit	650 A
<b>Short-circuit protection</b>	
<b>product function short circuit protection</b>	Yes

design of the short-circuit trip	magnetic
<b>Installation/ mounting/ dimensions</b>	
mounting position	any
fastening method	screw and snap-on mounting onto 35 mm DIN rail according to DIN EN 50022
height	140 mm
width	55 mm
depth	149 mm
required spacing for grounded parts	
• forwards	140 mm
• backwards	0 mm
• upwards	50 mm
• at the side	30 mm
• downwards	50 mm

<b>Connections/ Terminals</b>	
type of electrical connection	
• for main current circuit	screw-type terminals with box terminals
arrangement of electrical connectors for main current circuit	Top and bottom
type of connectable conductor cross-sections for main contacts	
• solid or stranded	2x (0.75 ... 25 mm <sup>2</sup> ), 1x (0.75 ... 35 mm <sup>2</sup> )
• finely stranded with core end processing	2x (0.75 ... 16 mm <sup>2</sup> ), 1x (0.75 ... 25 mm <sup>2</sup> )
tightening torque	
• for main contacts with screw-type terminals	3 ... 4.5 N·m

<b>Electrical Safety</b>	
protection class IP on the front according to IEC 60529	IP20
touch protection on the front according to IEC 60529	finger-safe, for vertical contact from the front

**Approvals Certificates**

General Product Approval	Test Certificates
--------------------------	-------------------



EG-Konf.



CCC

[Confirmation](#)



UL



[Type Test Certificates/Test Report](#)

Marine / Shipping	other	Environment
-------------------	-------	-------------



LRS

[Confirmation](#)

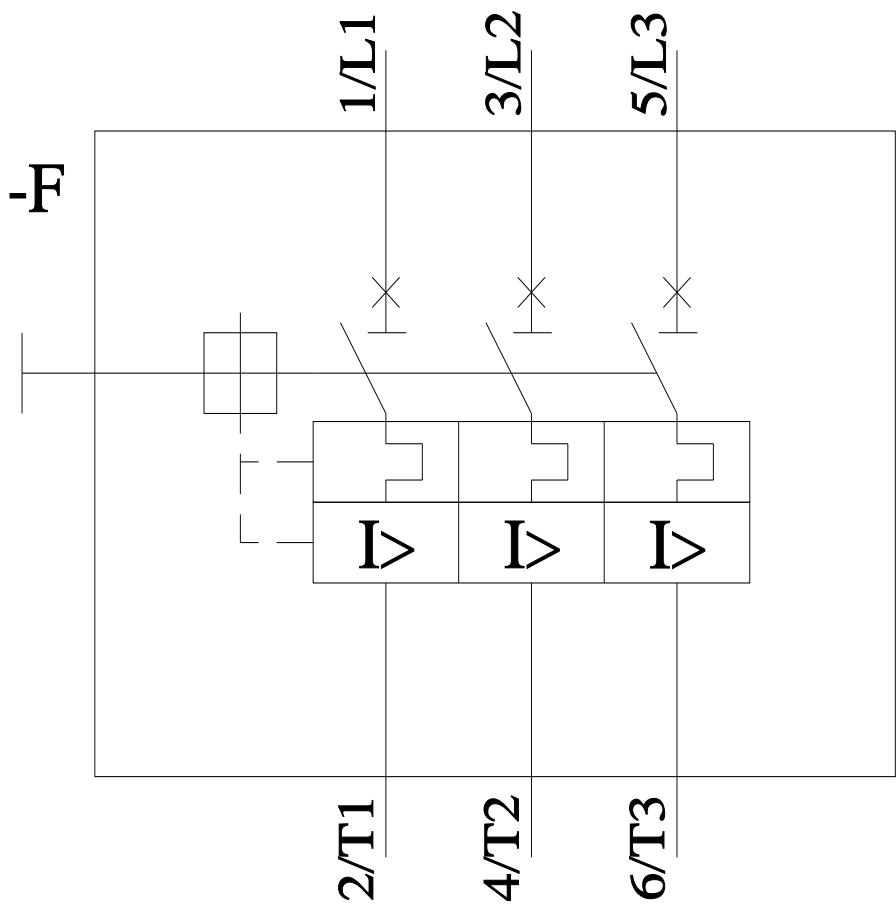
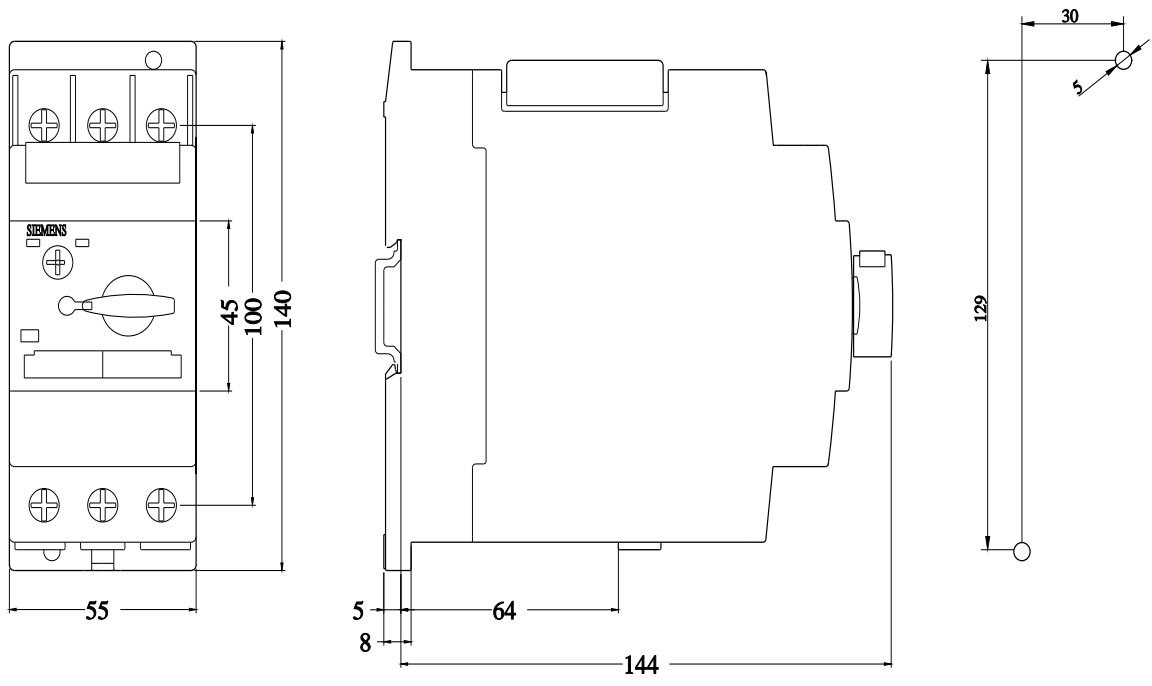


VDE

[Environmental Confirmations](#)

**Further information**

Service&Support (Manuals, Certificates, Characteristics, FAQs,...)  
<https://support.industry.siemens.com/cs/products?pnid=16027&lc=en-CN>



last modified:

8/24/2024

