

CIRCUIT-BREAKER, 0.18...0.25A N-RELEASE 3,3 A, SIZE S0,
MOTOR PROTECTION, CLASS 10, SCREW CONNECTION
STANDARD BREAKING CAPACITY



Figure similar

product brandname	SIRIUS
Product designation	circuit breaker
Design of the product	for motor protection

General technical data

Product extension	
<ul style="list-style-type: none"> Auxiliary switch 	Yes
Power loss [W] total typical	5 W
Surge voltage resistance rated value	6 000 V
Protection class IP	
<ul style="list-style-type: none"> on the front 	IP20
Mechanical service life (switching cycles)	
<ul style="list-style-type: none"> of the main contacts typical 	100 000

Ambient conditions

Ambient temperature	
<ul style="list-style-type: none"> during operation 	-20 ... +60 °C
<ul style="list-style-type: none"> during storage 	-50 ... +80 °C
<ul style="list-style-type: none"> during transport 	-50 ... +80 °C

Main circuit	
Number of poles for main current circuit	3
Adjustable pick-up value current of the current-dependent overload release	0.18 ... 0.25 A
Operating voltage <ul style="list-style-type: none"> • rated value • at AC-3 rated value maximum 	690 V 690 V
Operating current <ul style="list-style-type: none"> • at AC-3 <ul style="list-style-type: none"> — at 400 V rated value 	0.25 A
Operating power <ul style="list-style-type: none"> • at AC-3 <ul style="list-style-type: none"> — at 400 V rated value 	0.06 kW
Operating frequency <ul style="list-style-type: none"> • at AC-3 maximum 	15 1/h
Auxiliary circuit	
Number of CO contacts <ul style="list-style-type: none"> • for auxiliary contacts 	0
Protective and monitoring functions	
Trip class	CLASS 10
Maximum short-circuit current breaking capacity (I _{cu}) <ul style="list-style-type: none"> • at AC at 240 V rated value • at AC at 400 V rated value • at AC at 500 V rated value • at AC at 690 V rated value 	100 kA 100 kA 100 kA 100 kA
Short-circuit protection	
Design of the overcurrent release and short-circuit release	thermomagnetic
Installation/ mounting/ dimensions	
Mounting position	any
Mounting type	screw and snap-on mounting onto 35 mm standard mounting rail according to DIN EN 50022
Height	97 mm
Width	45 mm
Depth	96 mm
Required spacing <ul style="list-style-type: none"> • with side-by-side mounting <ul style="list-style-type: none"> — Backwards — at the side 	0 mm 0 mm
Connections/Terminals	

Product function	
<ul style="list-style-type: none"> removable terminal for auxiliary and control circuit 	No
Type of electrical connection	
<ul style="list-style-type: none"> for main current circuit for auxiliary and control current circuit 	screw-type terminals screw-type terminals
Arrangement of electrical connectors for main current circuit	front side
Type of connectable conductor cross-sections	
<ul style="list-style-type: none"> for main contacts <ul style="list-style-type: none"> — solid — stranded — finely stranded with core end processing at AWG conductors for main contacts 	2x (1 ... 2.5 mm ²), 2x (2.5 ... 6 mm ²) 2x (1 ... 2.5 mm ²), 2x (2.5 ... 6 mm ²) 2x (1 ... 2.5 mm ²), 2x (2.5 ... 6 mm ²) 2x (14 ... 10)

Certificates/approvals

General Product Approval			For use in hazardous locations		
					
CCC	CSA	UL		ATEX	IECEX
Declaration of Conformity	Test Certificates	Shipping Approval			
	spezielle Prüfbescheinigung n				
EG-Konf.		ABS	BUREAU VERITAS	GL	LRS
Shipping Approval	other				
	Sonstige	Umweltbestätigung	Bestätigungen		
RMRS				VDE	

Further information

Information- and Downloadcenter (Catalogs, Brochures,...)

<http://www.siemens.com/industrial-controls/catalogs>

Industry Mall (Online ordering system)

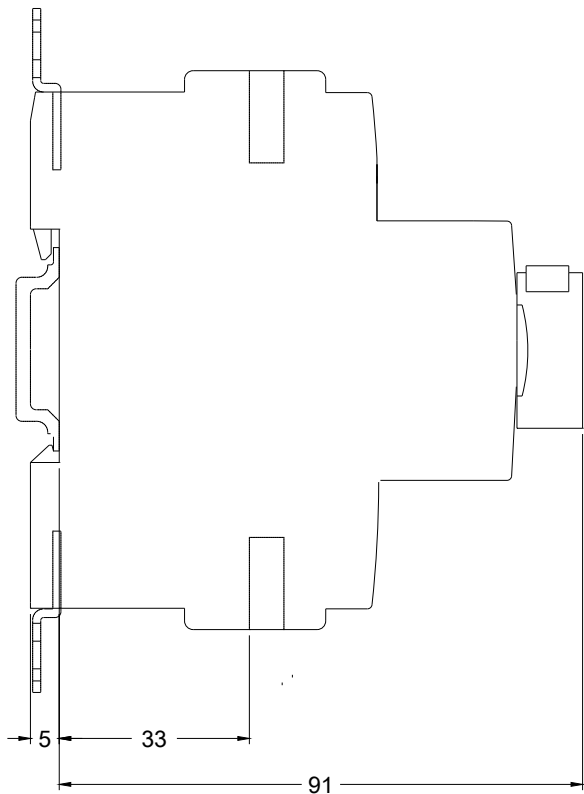
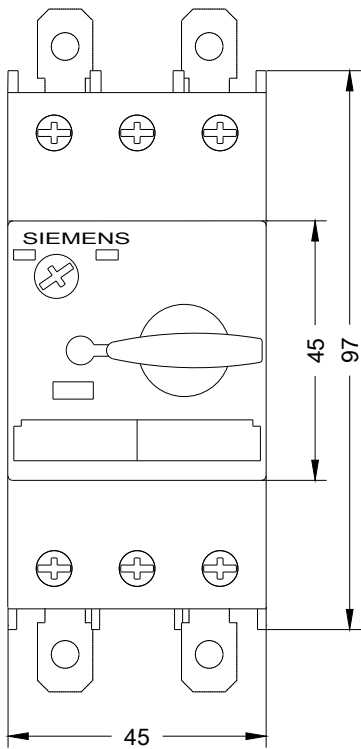
<https://mall.industry.siemens.com/mall/en/en/Catalog/product?mlfb=3RV1021-0CA10>

Cax online generator

<http://support.automation.siemens.com/WW/CAXorder/default.aspx?lang=en&mlfb=3RV1021-0CA10>

Service&Support (Manuals, Certificates, Characteristics, FAQs,...)

<https://support.industry.siemens.com/cs/ww/en/ps/3RV1021-0CA10>





last modified:

06/12/2017