



CONTACTOR, AC-3 30 KW/400 V, AC 110V 50/60HZ, 3-POLE, SIZE S3, SCREW CONNECTION

Figure similar

product brand name	SIRIUS
Product designation	power contactor

General technical data:

Insulation voltage	
• Rated value	1 000 V
Degree of pollution	3
Surge voltage resistance Rated value	6 kV
Mechanical service life (switching cycles)	
• of the contactor typical	10 000 000
• of the contactor with added electronics-compatible auxiliary switch block typical	5 000 000
• of the contactor with added auxiliary switch block typical	10 000 000
Thermal short-time current restricted to 10 s	600 A
Protection class IP	
• on the front	IP00
• of the terminal	IP00
Equipment marking	
• acc. to DIN EN 61346-2	Q
• acc. to DIN EN 81346-2	Q

Main circuit:

Number of poles for main current circuit	3
Number of NC contacts for main contacts	0
Number of NO contacts for main contacts	3
Operating current	

<ul style="list-style-type: none"> • at AC-1 <ul style="list-style-type: none"> — at 400 V at ambient temperature 40 °C Rated value — up to 690 V at ambient temperature 40 °C Rated value — up to 690 V at ambient temperature 60 °C Rated value • at AC-3 <ul style="list-style-type: none"> — at 400 V Rated value — at 690 V Rated value • at AC-4 at 400 V Rated value 	100 A 100 A 90 A 65 A 47 A 55 A
Operating current with 1 current path	
<ul style="list-style-type: none"> • at DC-1 <ul style="list-style-type: none"> — at 24 V Rated value — at 110 V Rated value • at DC-3 at DC-5 <ul style="list-style-type: none"> — at 24 V Rated value — at 110 V Rated value 	90 A 4.5 A 40 A 2.5 A
Operating current with 2 current paths in series	
<ul style="list-style-type: none"> • at DC-1 <ul style="list-style-type: none"> — at 24 V Rated value — at 110 V Rated value • at DC-3 at DC-5 <ul style="list-style-type: none"> — at 110 V Rated value — at 24 V Rated value 	90 A 90 A 90 A 90 A
Operating current with 3 current paths in series	
<ul style="list-style-type: none"> • at DC-1 <ul style="list-style-type: none"> — at 24 V Rated value — at 110 V Rated value • at DC-3 at DC-5 <ul style="list-style-type: none"> — at 110 V Rated value — at 24 V Rated value 	90 A 90 A 90 A 90 A
Operating power	
<ul style="list-style-type: none"> • at AC-1 <ul style="list-style-type: none"> — at 230 V at 60 °C Rated value — at 690 V at 60 °C Rated value 	34 kW 102 kW
Operating power for ≥ 200000 operating cycles at AC-4	
<ul style="list-style-type: none"> • at 400 V Rated value • at 690 V Rated value 	15.1 kW 18.6 kW
Active power loss at AC-3 at 400 V for rated value of the operating current per conductor	4.6 W

Operating frequency	
<ul style="list-style-type: none"> • at AC-1 maximum • at AC-2 maximum • at AC-3 maximum • at AC-4 maximum 	<p>1 000 1/h</p> <p>400 1/h</p> <p>1 000 1/h</p> <p>300 1/h</p>
No-load switching frequency	
<ul style="list-style-type: none"> • with AC 	5 000 1/h

Control circuit/ Control:

Type of voltage of the control supply voltage	AC
Control supply voltage with AC	
<ul style="list-style-type: none"> • at 50 Hz Rated value • at 60 Hz Rated value • Rated value 	<p>110 V</p> <p>110 V</p> <p>50 Hz</p>
Control supply voltage frequency 2 Rated value	60 Hz
Operating range factor control supply voltage rated value of the magnet coil with AC	
<ul style="list-style-type: none"> • at 50 Hz • at 60 Hz 	<p>0.8 ... 1.1</p> <p>0.85 ... 1.1</p>

Auxiliary circuit:

Number of NC contacts	
<ul style="list-style-type: none"> • for auxiliary contacts <ul style="list-style-type: none"> — instantaneous contact 	0
Number of NO contacts	
<ul style="list-style-type: none"> • for auxiliary contacts <ul style="list-style-type: none"> — instantaneous contact 	0
Operating current at AC-15	
<ul style="list-style-type: none"> • at 230 V Rated value • at 400 V Rated value 	<p>6 A</p> <p>3 A</p>
Contact reliability of the auxiliary contacts	1 faulty switching per 100 million (17 V, 1 mA)

UL/CSA ratings:

Contact rating of the auxiliary contacts acc. to UL	A600 / Q600
--	-------------

Short-circuit:

Design of the fuse link	
<ul style="list-style-type: none"> • for short-circuit protection of the main circuit <ul style="list-style-type: none"> — with type of assignment 1 required — with type of assignment 2 required • for short-circuit protection of the auxiliary switch required 	<p>fuse gL/gG: 250 A</p> <p>fuse gL/gG: 125 A</p> <p>fuse gL/gG: 10 A</p>

Installation/ mounting/ dimensions:

Mounting type	screw and snap-on mounting onto 35 mm and 75 mm standard mounting rail
----------------------	--

• Side-by-side mounting	Yes
Height	146 mm
Width	70 mm
Depth	139 mm
Required spacing	
• for grounded parts — at the side	6 mm

Connections/ Terminals:

Type of electrical connection	
• for main current circuit	screw-type terminals
• for auxiliary and control current circuit	screw-type terminals
Type of connectable conductor cross-section	
• for main contacts	
— solid	2x (2.5 ... 16 mm ²)
— stranded	2x (10 ... 50 mm ²)
— single or multi-stranded	2x (2,5 ... 16 mm ²)
— finely stranded with core end processing	2x (2.5 ... 35 mm ²)
— finely stranded without core end processing	2x (10 ... 35 mm ²)
• for AWG conductors for main contacts	2x (10 ... 1/0)
• for auxiliary contacts	
— solid	2x (0.5 ... 1.5 mm ²), 2x (0.75 ... 2.5 mm ²), max. 2x (0.75 ... 4 mm ²)
— finely stranded with core end processing	2x (0.5 ... 1.5 mm ²), 2x (0.75 ... 2.5 mm ²)
• for AWG conductors for auxiliary contacts	2x (20 ... 16), 2x (18 ... 14), 1x 12

Mechanical data:

Size of contactor	S3
--------------------------	----

Ambient conditions:

Installation altitude at height above sea level maximum	2 000 m
Ambient temperature	
• during operation	-25 ... +60 °C
• during storage	-55 ... +80 °C

Certificates/ approvals:

General Product Approval	Functional Safety/Safety of Machinery	Declaration of Conformity
--------------------------	---------------------------------------	---------------------------



[Type Examination](#)



Test Certificates	Shipping Approval
-------------------	-------------------

[Special Test Certificate](#)



other

[Confirmation](#)

[Environmental Confirmations](#)

[other](#)

Further information

Information- and Downloadcenter (Catalogs, Brochures,...)

<http://www.siemens.com/industrial-controls/catalogs>

Industry Mall (Online ordering system)

<http://www.siemens.com/industrymall>

Cax online generator

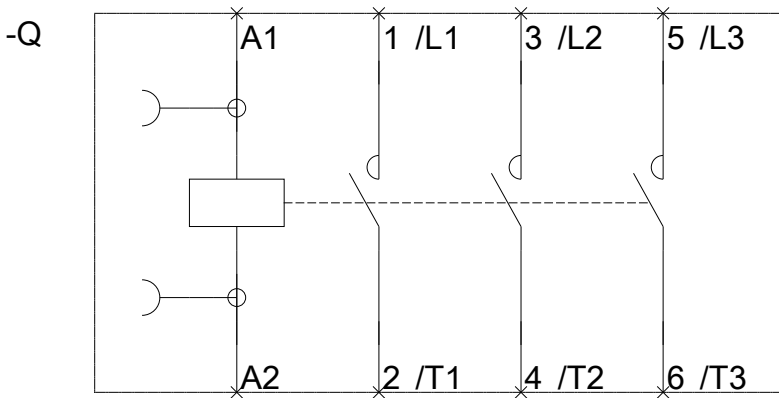
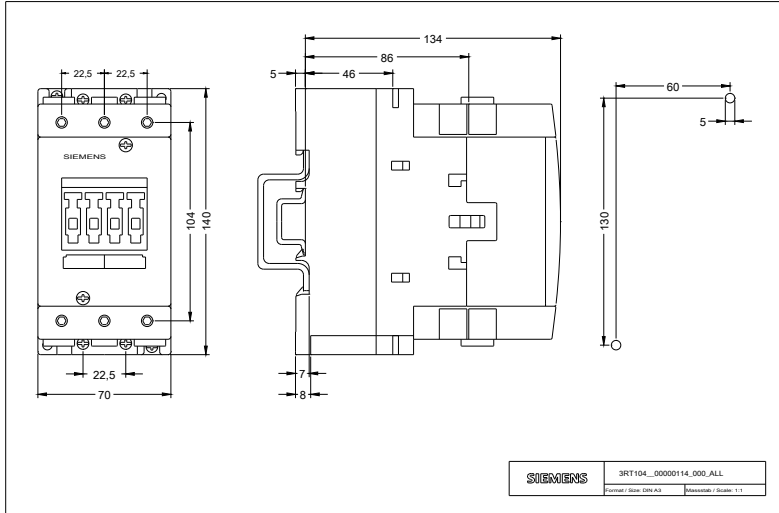
<http://support.automation.siemens.com/WW/CAXorder/default.aspx?lang=en&mlfb=3RT10441AG20>

Service&Support (Manuals, Certificates, Characteristics, FAQs,...)

<https://support.industry.siemens.com/cs/ww/en/ps/3RT10441AG20>

Image database (product images, 2D dimension drawings, 3D models, device circuit diagrams, EPLAN macros, ...)

http://www.automation.siemens.com/bilddb/cax_de.aspx?mlfb=3RT10441AG20&lang=en



last modified:

14.05.2015