



CONTACTOR, AC-3 11 KW / 400 V, AC 220 V 50/60 HZ, 3-POLE, SIZE S0, SCREW CONNECTION

Figure similar

<b>product brand name</b>	SIRIUS
<b>Product designation</b>	power contactor
<b>General technical data:</b>	
<b>Degree of pollution</b>	3
<b>Mechanical service life (switching cycles)</b>	
<ul style="list-style-type: none"> <li>• of the contactor typical</li> </ul>	10 000 000
<ul style="list-style-type: none"> <li>• of the contactor with added electronics-compatible auxiliary switch block typical</li> </ul>	5 000 000
<ul style="list-style-type: none"> <li>• of the contactor with added auxiliary switch block typical</li> </ul>	10 000 000
<b>Protection class IP</b>	
<ul style="list-style-type: none"> <li>• on the front</li> </ul>	IP20
<ul style="list-style-type: none"> <li>• of the terminal</li> </ul>	IP20
<b>Equipment marking</b>	
<ul style="list-style-type: none"> <li>• acc. to DIN EN 61346-2</li> </ul>	Q
<ul style="list-style-type: none"> <li>• acc. to DIN EN 81346-2</li> </ul>	Q
<b>Main circuit:</b>	
<b>Number of poles for main current circuit</b>	3
<b>Number of NC contacts for main contacts</b>	0
<b>Number of NO contacts for main contacts</b>	3
<b>Operating current</b>	
<ul style="list-style-type: none"> <li>• at AC-1 <ul style="list-style-type: none"> <li>— at 400 V at ambient temperature 40 °C</li> <li>Rated value</li> </ul> </li> </ul>	40 A

— up to 690 V at ambient temperature 40 °C Rated value	40 A
— up to 690 V at ambient temperature 60 °C Rated value	35 A
• at AC-3 — at 400 V Rated value	25 A
• at AC-4 at 400 V Rated value	15.5 A
<b>Operating current with 1 current path</b>	
• at DC-1 — at 24 V Rated value	35 A
— at 110 V Rated value	4.5 A
• at DC-3 at DC-5 — at 24 V Rated value	20 A
— at 110 V Rated value	2.5 A
<b>Operating current with 2 current paths in series</b>	
• at DC-1 — at 24 V Rated value	35 A
— at 110 V Rated value	35 A
• at DC-3 at DC-5 — at 110 V Rated value	15 A
— at 24 V Rated value	35 A
<b>Operating current with 3 current paths in series</b>	
• at DC-1 — at 24 V Rated value	35 A
— at 110 V Rated value	35 A
• at DC-3 at DC-5 — at 110 V Rated value	35 A
— at 24 V Rated value	35 A
<b>Active power loss at AC-3 at 400 V for rated value of the operating current per conductor</b>	1.6 W

Control circuit/ Control:	
<b>Type of voltage of the control supply voltage</b>	AC
<b>Control supply voltage with AC</b>	
• at 50 Hz Rated value	220 V
• at 60 Hz Rated value	220 V
• Rated value	50 Hz
<b>Control supply voltage frequency 2 Rated value</b>	60 Hz
<b>Operating range factor control supply voltage rated value of the magnet coil with AC</b>	
• at 50 Hz	0.8 ... 1.1
• at 60 Hz	0.85 ... 1.1

Auxiliary circuit:	
<b>Number of NC contacts</b> <ul style="list-style-type: none"> <li>• for auxiliary contacts               <ul style="list-style-type: none"> <li>— instantaneous contact</li> </ul> </li> </ul>	0
<b>Number of NO contacts</b> <ul style="list-style-type: none"> <li>• for auxiliary contacts               <ul style="list-style-type: none"> <li>— instantaneous contact</li> </ul> </li> </ul>	0
<b>Operating current at AC-15</b> <ul style="list-style-type: none"> <li>• at 230 V Rated value</li> <li>• at 400 V Rated value</li> </ul>	6 A 3 A
<b>Contact reliability of the auxiliary contacts</b>	1 faulty switching per 100 million (17 V, 1 mA)

Short-circuit:	
<b>Design of the fuse link</b> <ul style="list-style-type: none"> <li>• for short-circuit protection of the main circuit               <ul style="list-style-type: none"> <li>— with type of assignment 1 required</li> <li>— with type of assignment 2 required</li> </ul> </li> <li>• for short-circuit protection of the auxiliary switch required</li> </ul>	fuse gL/gG: 100 A fuse gL/gG: 35 A fuse gL/gG: 10 A

Installation/ mounting/ dimensions:	
<b>Mounting type</b> <ul style="list-style-type: none"> <li>• Side-by-side mounting</li> </ul>	screw and snap-on mounting onto 35 mm standard mounting rail according to DIN EN 50022 Yes
<b>Height</b>	85 mm
<b>Width</b>	45 mm
<b>Depth</b>	91 mm
<b>Required spacing</b> <ul style="list-style-type: none"> <li>• for grounded parts               <ul style="list-style-type: none"> <li>— at the side</li> </ul> </li> </ul>	6 mm

Connections/ Terminals:	
<b>Type of electrical connection</b> <ul style="list-style-type: none"> <li>• for main current circuit</li> <li>• for auxiliary and control current circuit</li> </ul>	screw-type terminals screw-type terminals
<b>Type of connectable conductor cross-section</b> <ul style="list-style-type: none"> <li>• for main contacts               <ul style="list-style-type: none"> <li>— solid</li> <li>— single or multi-stranded</li> <li>— finely stranded with core end processing</li> </ul> </li> <li>• for AWG conductors for main contacts</li> <li>• for auxiliary contacts               <ul style="list-style-type: none"> <li>— solid</li> <li>— finely stranded with core end processing</li> </ul> </li> </ul>	2x (1 ... 2.5 mm <sup>2</sup> ), 2x (2.5 ... 6 mm <sup>2</sup> ), max. 2x 10 mm <sup>2</sup> 2x (1 ... 2,5 mm <sup>2</sup> ), 2x (2,5 ... 6 mm <sup>2</sup> ), max. 2x 10 mm <sup>2</sup> 2x (1 ... 2.5 mm <sup>2</sup> ), 2x (2.5 ... 6 mm <sup>2</sup> ) 2x (16 ... 12), 2x (14 ... 10), 1x 8 2x (0.5 ... 1.5 mm <sup>2</sup> ), 2x (0.75 ... 2.5 mm <sup>2</sup> ), max. 2x (0.75 ... 4 mm <sup>2</sup> ) 2x (0.5 ... 1.5 mm <sup>2</sup> ), 2x (0.75 ... 2.5 mm <sup>2</sup> )

• for AWG conductors for auxiliary contacts

2x (20 ... 16), 2x (18 ... 14), 1x 12

#### Mechanical data:

Size of contactor S0

#### Ambient conditions:

Installation altitude at height above sea level maximum 2 000 m

Ambient temperature

• during operation -25 ... +60 °C

#### Certificates/ approvals:

General Product Approval

Functional Safety/Safety of Machinery

Declaration of Conformity



CCC



CSA



UL

[Type Examination](#)



EG-Konf.

Test Certificates

Shipping Approval

[Special Test Certificate](#)

[Type Test Certificates/Test Report](#)



ABS



DNV



GL



LRS

Shipping Approval

other



RINA



RMRS

[other](#)

[Environmental Confirmations](#)

[Confirmation](#)

#### Further information

**Information- and Downloadcenter (Catalogs, Brochures,...)**

<http://www.siemens.com/industrial-controls/catalogs>

**Industry Mall (Online ordering system)**

<http://www.siemens.com/industrymall>

**Cax online generator**

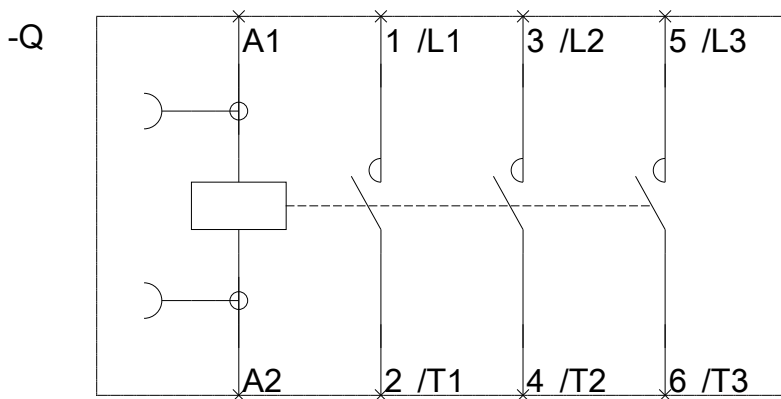
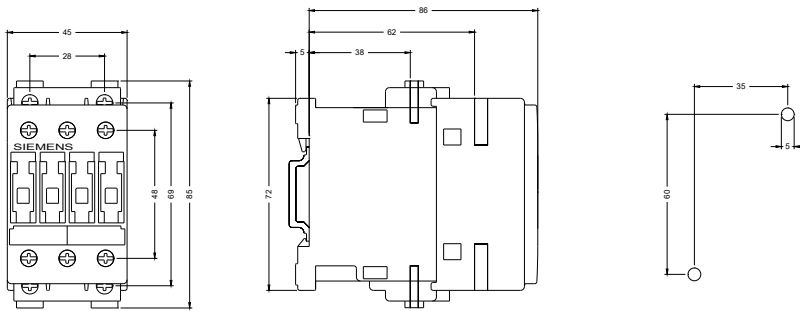
<http://support.automation.siemens.com/WW/CAXorder/default.aspx?lang=en&mfb=3RT10261AN20>

**Service&Support (Manuals, Certificates, Characteristics, FAQs,...)**

<https://support.industry.siemens.com/cs/ww/en/ps/3RT10261AN20>

**Image database (product images, 2D dimension drawings, 3D models, device circuit diagrams, EPLAN macros, ...)**

[http://www.automation.siemens.com/bilddb/cax\\_de.aspx?mfb=3RT10261AN20&lang=en](http://www.automation.siemens.com/bilddb/cax_de.aspx?mfb=3RT10261AN20&lang=en)



last modified:

14.05.2015