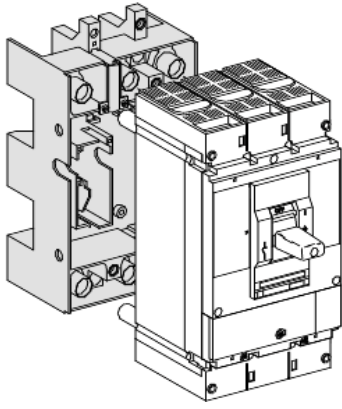


Product data sheet

Specifications



short terminal shields - 3P - set of 2

32562

⚠ Discontinued on: 12 July 2021

32562 has not been replaced. Please contact your customer care center for more information.

⚠ Discontinued

Main

Product or Component Type	Short terminal shield
Range compatibility	Compact NR Compact NB Compact NSJ PowerPact Multistandard
Accessory / Separate Part Type	Insulation accessories
Poles description	3P
Quantity per Set	Set of 2

Complementary

Connection pitch	1.77 in (45 mm)
Shape	Short

Ordering and shipping details

Category	01103-H,J,COMPACT NS UL/IEC CIRCUIT BREAKER ACCESSORIES
Discount Schedule	DE2
GTIN	00785901123200
Package weight(Lbs)	0.40 lb(US) (0.182 kg)
Returnability	No
Country of origin	FR

Packing Units

Package 1 Height	0.450 dm
Package 1 width	1.010 dm
Package 1 Length	1.450 dm

Contractual warranty

Warranty	18 months
----------	-----------