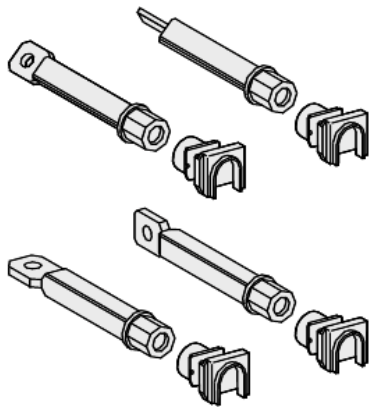


Product data sheet

Specifications



stud for drawout installation - for NS 400..630 - set of 2

32518

⚠ Discontinued

Main

| | |
|------------------------------------|---|
| Product or Component Type | Power connections |
| Accessory / separate part category | Connection accessory |
| Range compatibility | ComPact NS circuit breaker Compact NSJ circuit breaker |

Ordering and shipping details

| | |
|---------------------|---|
| Category | 01103-H,J,COMPACT NS UL/IEC CIRCUIT BREAKER ACCESSORIES |
| Discount Schedule | DE2 |
| GTIN | 00785901111238 |
| Package weight(Lbs) | 0.48 lb(US) (0.216 kg) |
| Returnability | No |

Packing Units

| | |
|------------------|----------|
| Package 1 Height | 0.200 dm |
| Package 1 width | 0.900 dm |
| Package 1 Length | 1.600 dm |

Contractual warranty

| | |
|----------|-----------|
| Warranty | 18 months |
|----------|-----------|

Recommended replacement(s)